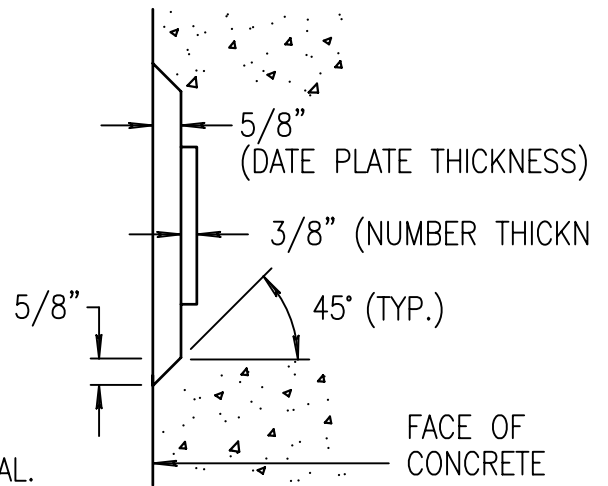


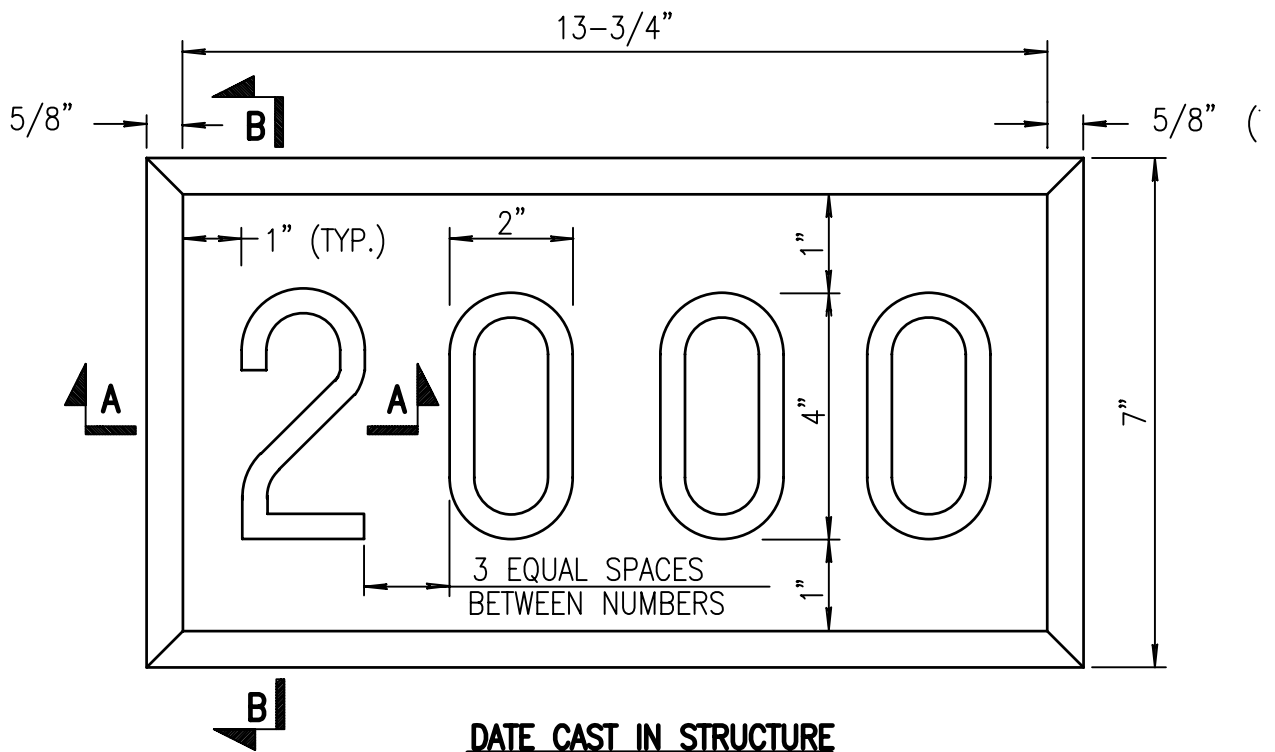
SECTION A-A
TYPICAL NUMBER CROSS SECTION



SECTION B-B
DATE PLATE EMBEDMENT

NOTES:

1. FORM MATERIAL: FORMS FOR DATE PLATES AND NUMBERS MAY BE MADE OF WOOD, METAL, FIBERGLASS OR OTHER APPROVED RIGID MATERIAL.
2. LOCATION: ONE DATE PLATE WILL BE INSTALLED ON EACH ABUTMENT. EXACT LOCATIONS WILL BE DETERMINED BY THE ENGINEER IN THE FIELD.
3. A TOTAL OF TWO INSTALLATIONS ARE REQUIRED.
4. CURRENT DATE OF CONSTRUCTION SHALL BE CAST IN THE STRUCTURE.
5. PAYMENT TO BE MADE UNDER ITEM 555.0105 FOR CAST-IN-PLACE WINGWALL OR ITEM 562.98XX FOR PRECAST WINGWALL.



DATE CAST IN STRUCTURE

NOT TO SCALE

(ABOVE DATE SHOWN FOR ILLUSTRATIVE PURPOSES ONLY)

DATE PLATE

1/1/08

REVISED