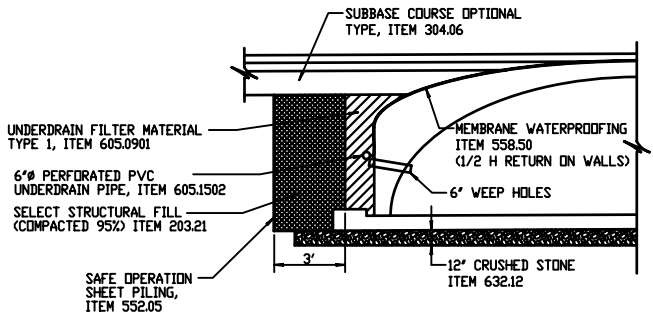
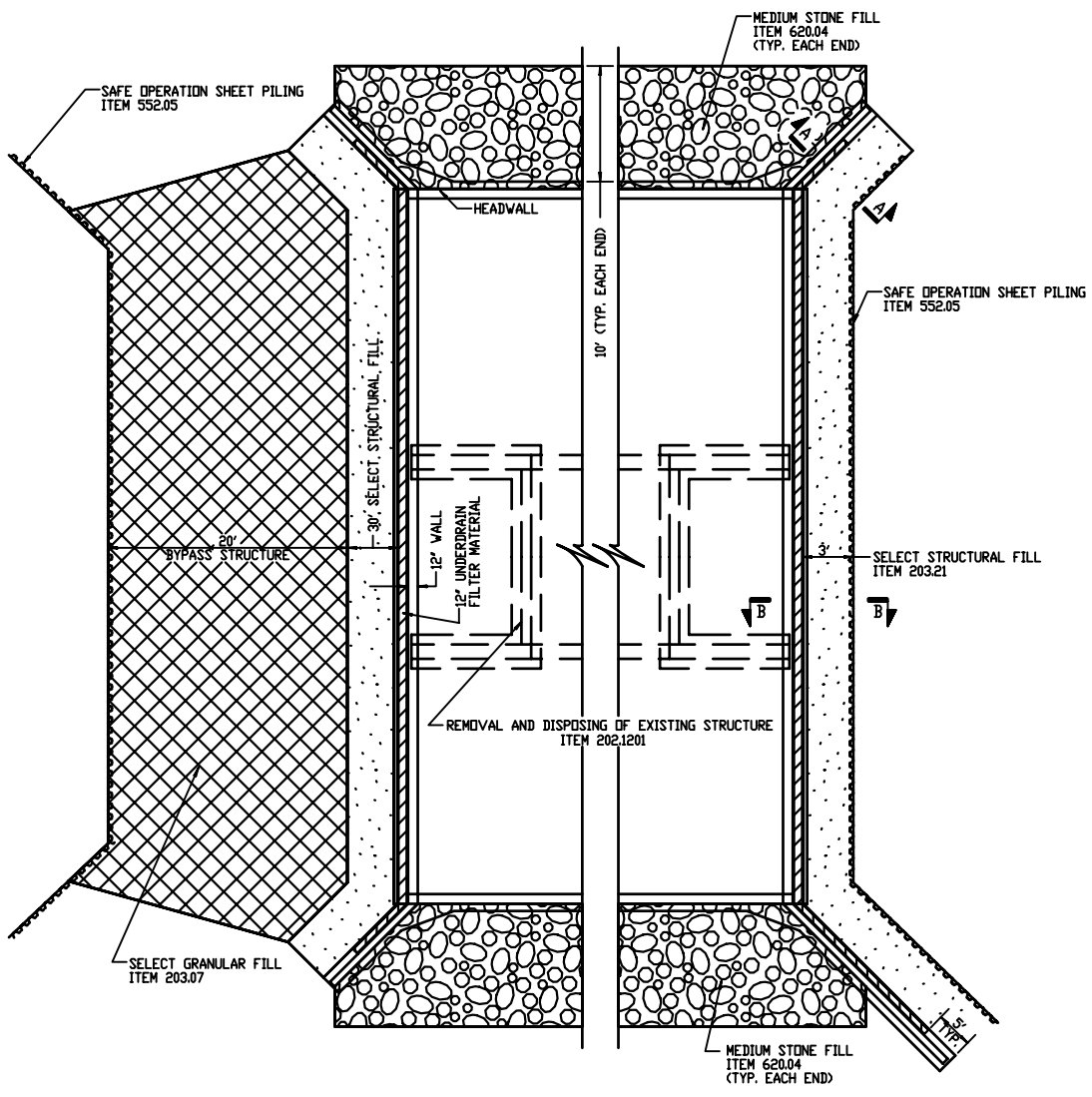


SECTION A - A
NOT TO SCALE



SECTION B - B
NOT TO SCALE



EXCAVATION AND FILL PLAN
NOT TO SCALE

1/1/08

REVISED