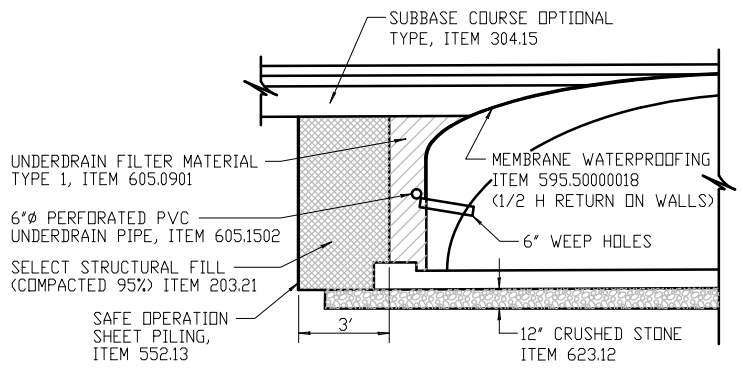
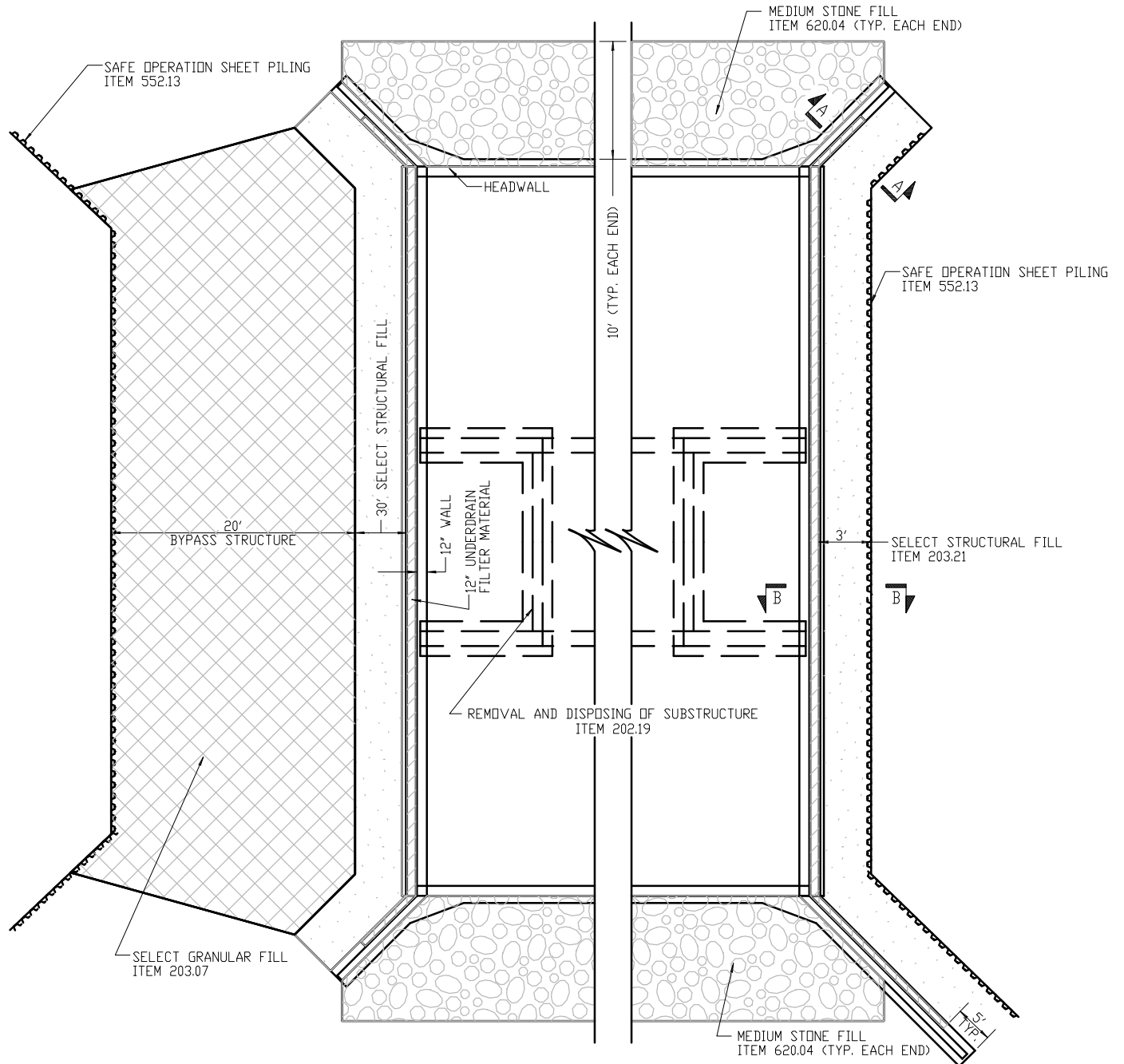


**SECTION A - A**  
NOT TO SCALE



**SECTION B - B**  
NOT TO SCALE



**EXCAVATION AND FILL PLAN**  
NOT TO SCALE

8/30/13  
REVISED