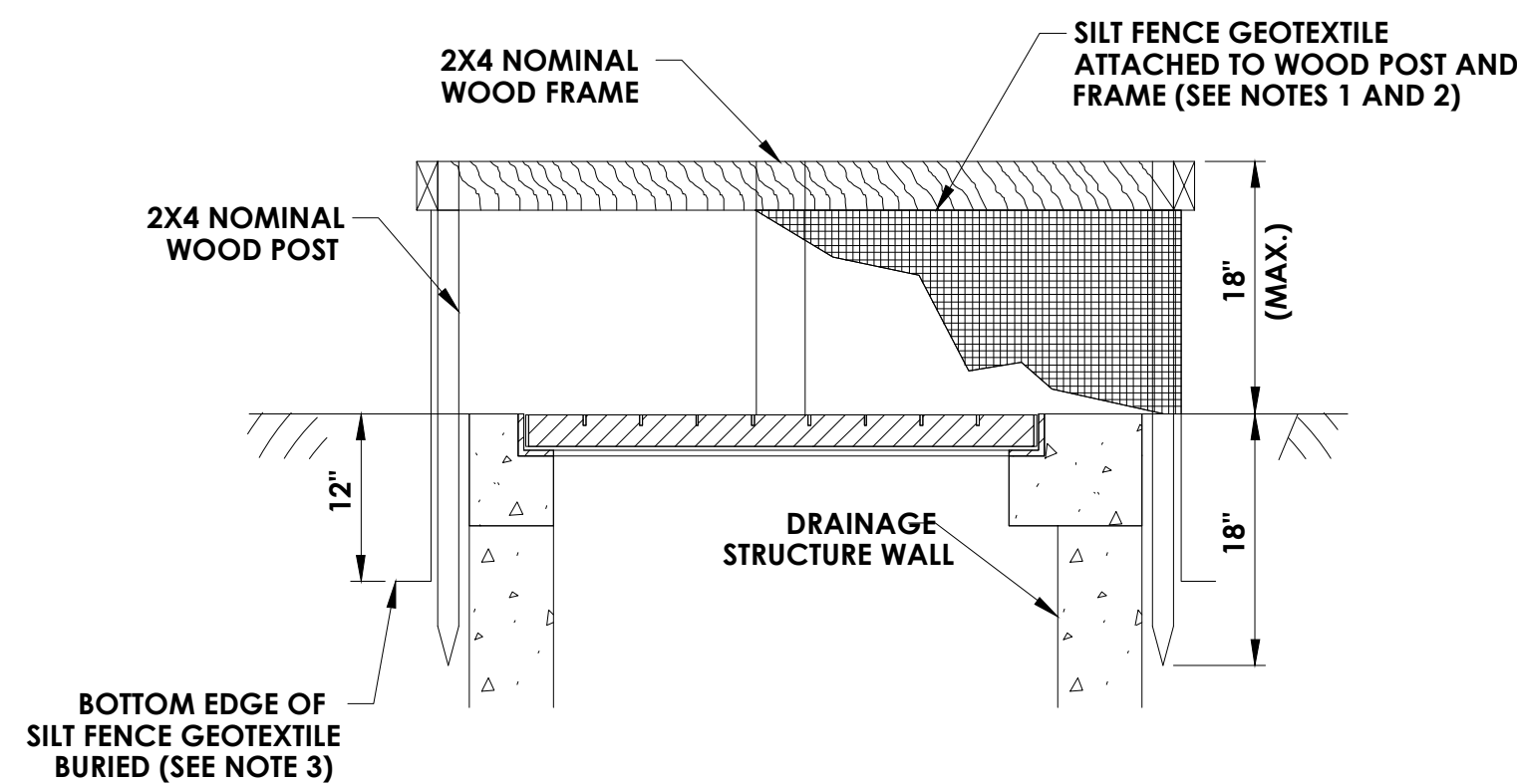


PLAN
DRAINAGE STRUCTURE INLET PROTECTION -TEMPORARY
(SILT FENCE)

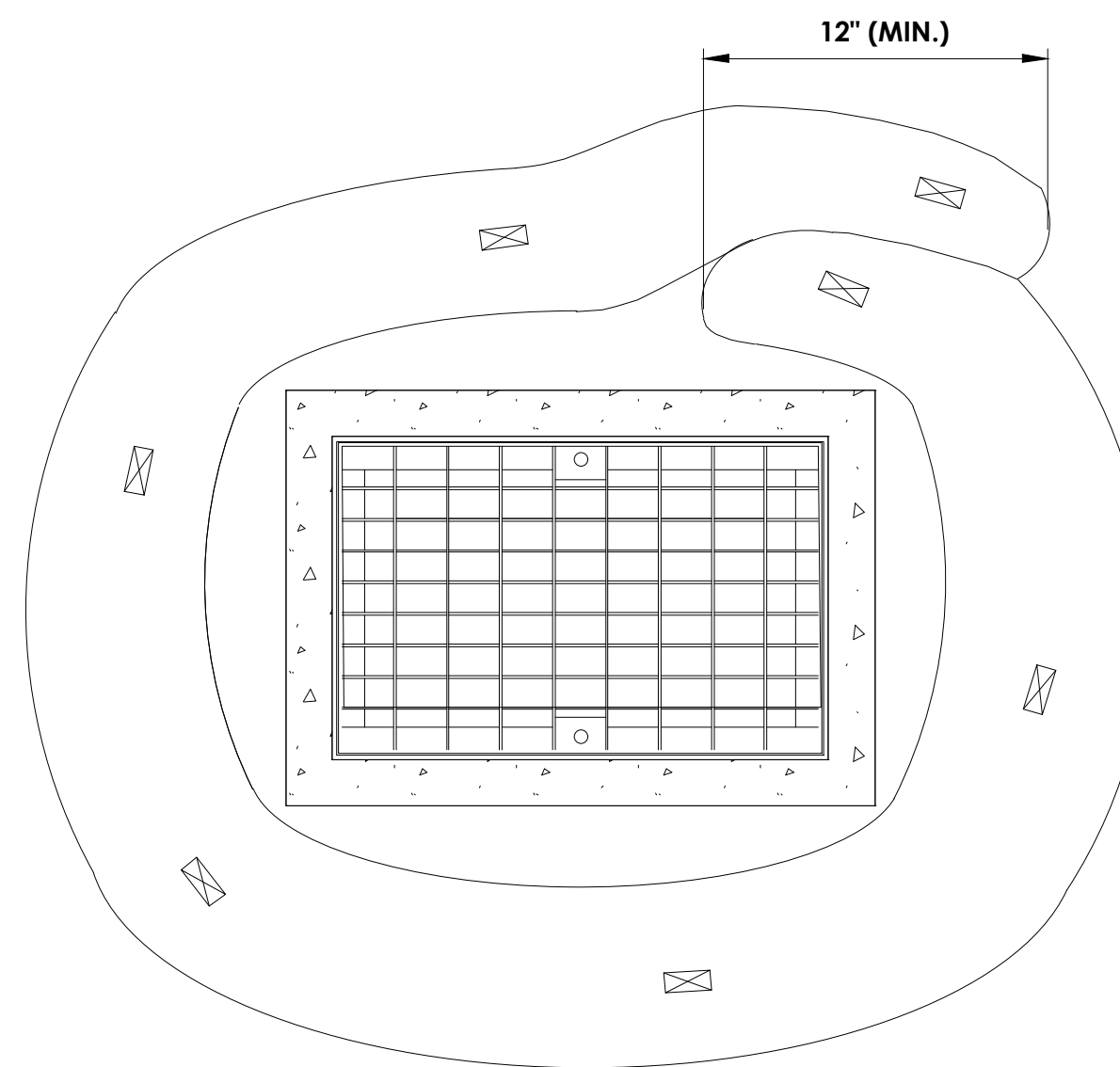


CROSS SECTION

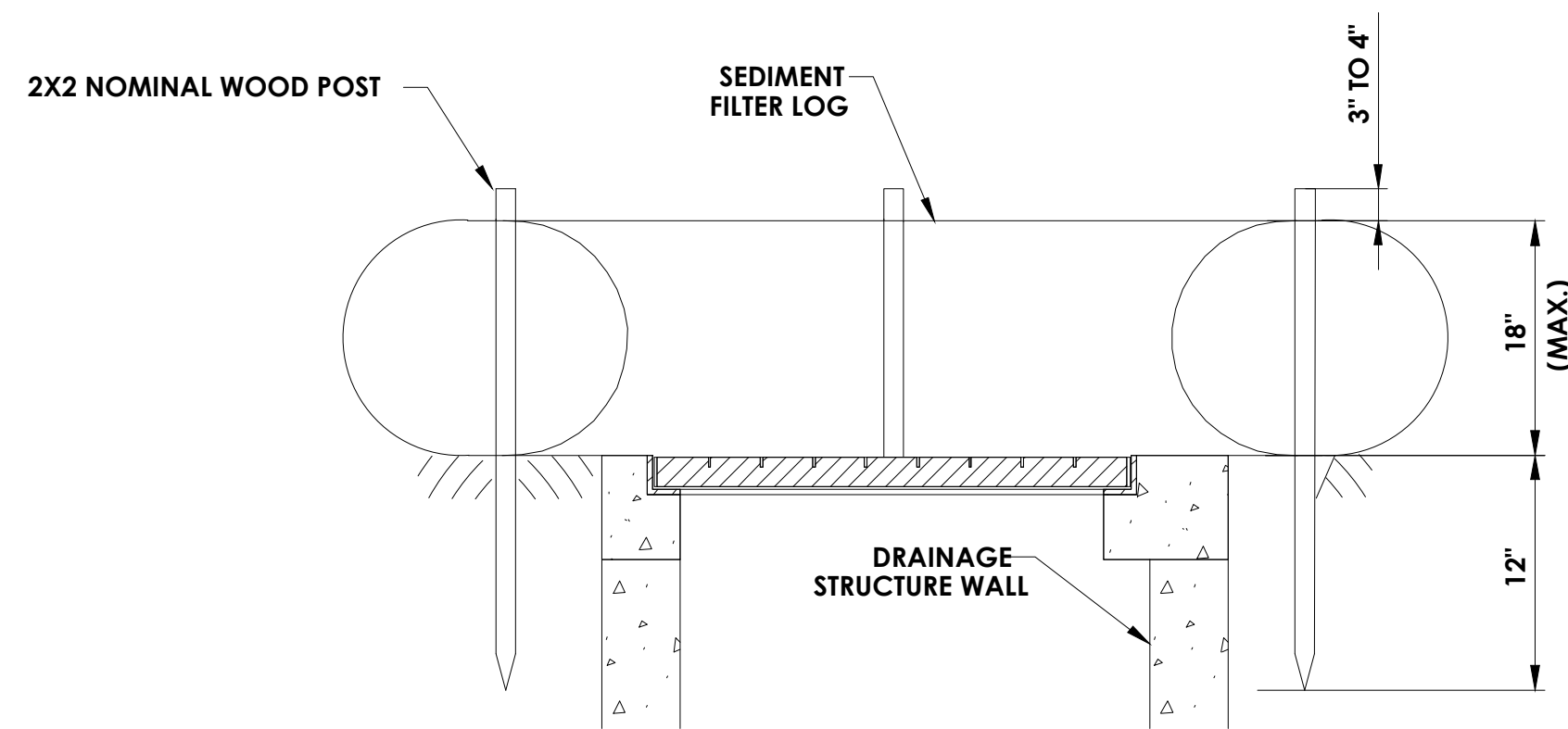
NOTES:

- APPROVED SILT FENCE GEOTEXTILES §737-01, ARE LISTED ON THE DEPARTMENT'S APPROVED LIST. SILT FENCE GEOTEXTILE SHALL BE A SINGLE CONTINUOUS PIECE TO ELIMINATE JOINTS. OVERLAP GEOTEXTILE ENDS TO THE NEXT POST.
- SPACE POSTS EVENLY AROUND INLET WITH A MAXIMUM SPACING OF 3'. WIRE MESH MAY BE REQUIRED BEHIND GEOTEXTILE TO PROVIDE SUPPORT. POSTS SHALL BE DRIVEN CLOSE TO THE INLET TO MINIMIZE EXPOSED SOIL BETWEEN THE INLET AND THE PRACTICE. DRIVE POSTS A MINIMUM OF 18" INTO GROUND (SILT FENCE).
- SILT FENCE GEOTEXTILE SHALL BE EMBEDDED 12" AND BACKFILLED. GEOTEXTILE SHALL BE SECURELY FASTENED TO POSTS AND FRAME.
- MEASURES SHALL BE INSPECTED AFTER EVERY RUNOFF EVENT AND REPAIRED AS NECESSARY. SEDIMENT SHALL BE REMOVED WHEN IT REACHES ONE-HALF THE MEASURE HEIGHT (STORAGE CAPACITY). SEDIMENT SHALL BE DISPOSED OF AS UNSUITABLE MATERIALS.
- MAXIMUM DRAINAGE AREA TO THE PRACTICE SHALL NOT EXCEED ONE ACRE.
- AN MCDOT APPROVED PRE-MANUFACTURED UNIT MAY BE SUBSTITUTED.

DRAINAGE STRUCTURE INLET PROTECTION - TEMPORARY
(SILT FENCE)



PLAN
DRAINAGE STRUCTURE INLET PROTECTION - TEMPORARY
(FIBER ROLL)

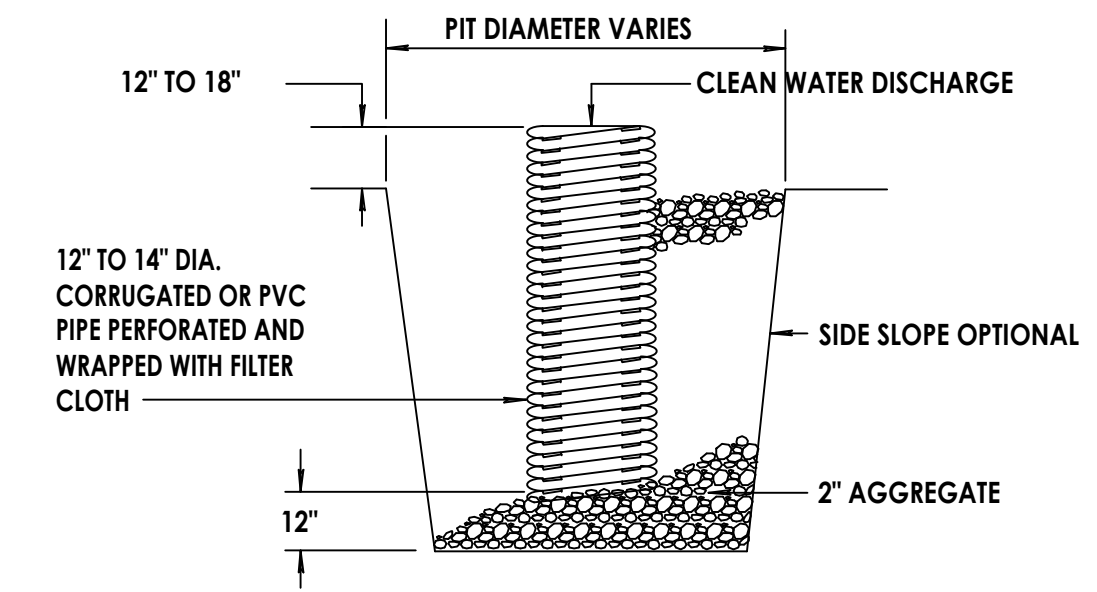


CROSS SECTION

SEDIMENT FILTER LOG NOTES:

- POSTS SHALL BE DRIVEN CLOSE TO THE INLET TO MINIMIZE EXPOSED SOIL BETWEEN THE INLET AND THE PRACTICE. DRIVE POSTS A MINIMUM OF 12" (SEDIMENT FILTER LOG).
- SEDIMENT FILTER LOGS SHALL BE SECURED TO THE SOIL SURFACE WITH WOODEN POSTS SPACED A MAXIMUM OF 2' APART. WHEN USED ON A PAVED SURFACE, THE LOG ENDS SHALL BE FASTENED WITH PLASTIC TIES OR IN ACCORDANCE WITH MANUFACTURER'S RECOMMENDATIONS.
- MEASURES SHALL BE INSPECTED AFTER EVERY RUNOFF EVENT AND REPAIRED AS NECESSARY. SEDIMENT SHALL BE REMOVED WHEN IT REACHES ONE-HALF THE MEASURE HEIGHT (STORAGE CAPACITY). SEDIMENT SHALL BE DISPOSED OF AS UNSUITABLE MATERIALS.
- MAXIMUM DRAINAGE AREA TO THE PRACTICE SHALL NOT EXCEED ONE ACRE.

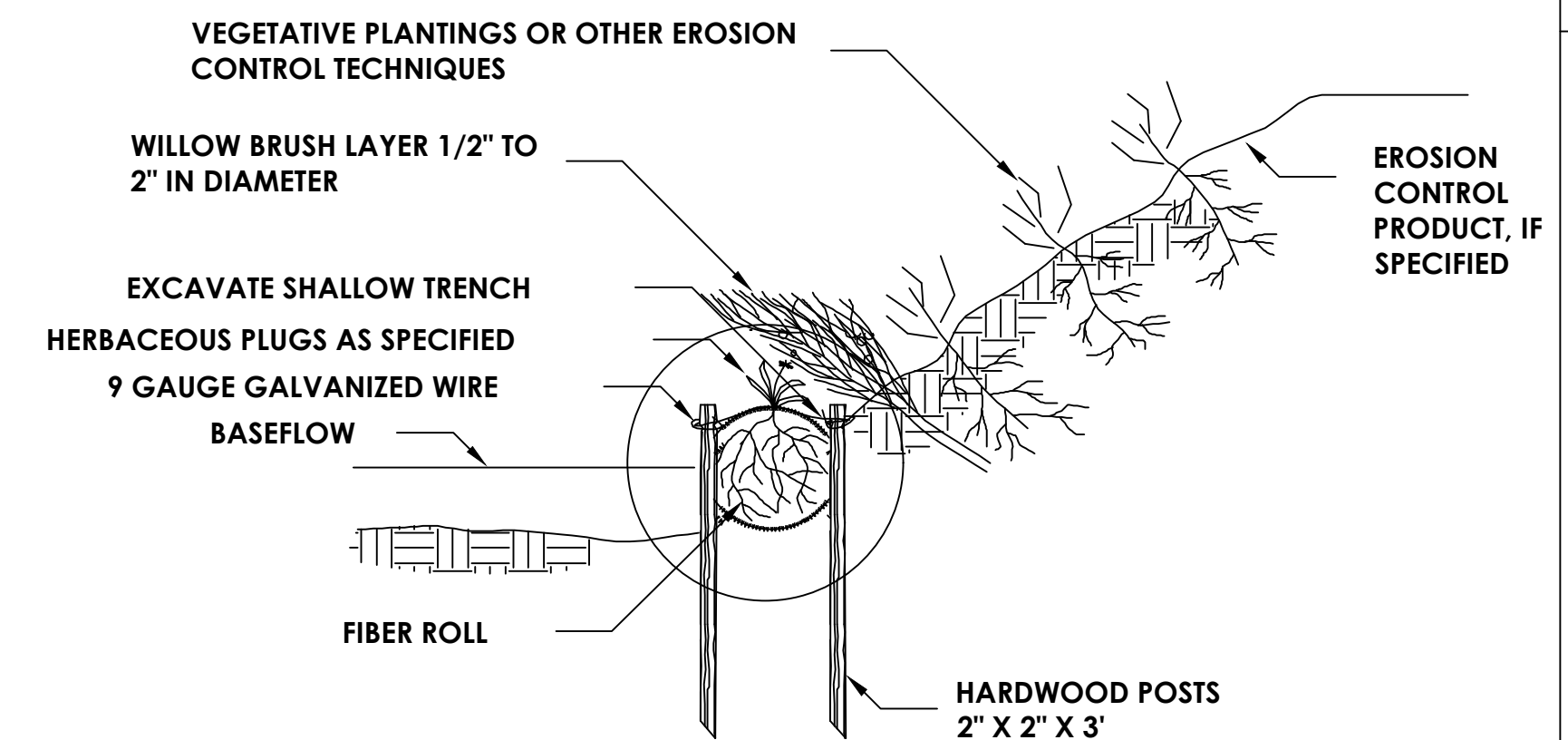
DRAINAGE STRUCTURE INLET PROTECTION - TEMPORARY
(FIBER ROLL)



NOTES:

- THIS DETAIL IS OFFERED AS A SUGGESTION TO THE CONTRACTOR. THE CONTRACTOR SHALL SUBMIT DETAILS ON PROPOSED WATER DISCHARGE CONTROL TO THE ENGINEER FOR APPROVAL PRIOR TO COMMENCING WITH WORK.
- PIT DIMENSIONS ARE OPTIONAL.
- A BASE OF 2" AGGREGATE SHOULD BE PLACED IN THE PIT TO A DEPTH OF 12". AFTER INSTALLING THE STANDPIPE, THE PIT SURROUNDING THE STANDPIPE SHOULD BE BACKFILLED WITH 2" AGGREGATE.
- THE STANDPIPE SHOULD EXTEND 12" TO 18" ABOVE THE LIP OF THE PIT.
- THE STANDPIPE SHOULD BE WRAPPED WITH FILTERCLOTH BEFORE INSTALLATION. IF DESIRED 1/4" TO 1/2" HARDWARE CLOTH MAY BE PLACED AROUND THE STANDPIPE PRIOR TO ATTACHING THE FILTERCLOTH. THIS WILL INCREASE THE RATE OF WATER SEEPAGE INTO THE PIPE.
- THE COST FOR THE APPROVED WATER DISCHARGE CONTROL MEASURES SHOULD BE INCLUDED IN THE BID PRICE FOR ITEM 552.07.
- IF DISCHARGE IS NOT CLEAN, THE CONTRACTOR WILL HAVE TO PROVIDE A SEDIMENTATION BASIN. SEDIMENTATION DETAILS WILL HAVE TO BE APPROVED BY THE ENGINEER PRIOR TO USE.

WATER DISCHARGE CONTROL



CROSS SECTION
NOT TO SCALE

- EXCAVATE A SHALLOW TRENCH SLIGHTLY BELOW BASEFLOW OR A 4" TRENCH ON SLOPE CONTOURS.
- PLACE THE ROLL IN THE TRENCH AND ANCHOR WITH 2" x 2" POSTS PLACED ON BOTH SIDES OF THE ROLL AND SPACED LATERALLY ON 2' TO 4' CENTERS. TRIM THE TOP OF THE POSTS EVEN WITH THE EDGE OF THE ROLL, IF NECESSARY.
- NOTCH THE POSTS AND TIE TOGETHER, ACROSS THE ROLL, WITH 9 GAUGE GALVANIZED WIRE OR 1/8" DIAMETER BRAIDED NYLON ROPE..
- PLACE SOIL EXCAVATED FROM THE TRENCH BEHIND THE ROLL AND HAND TAMP. PLANT WITH SUITABLE HERBACEOUS OR WOODY VEGETATION AS SPECIFIED ELSEWHERE IN THE CONTRACT DOCUMENTS. VEGETATION SHALL BE PLACED IMMEDIATELY ADJACENT TO THE ROLL TO PROMOTE ROOT GROWTH INTO THE FIBER. HERBACEOUS VEGETATION, IF SPECIFIED, SHALL BE PLANTED INTO THE FIBER ROLL.

FIBER ROLL - TEMPORARY

ADAPTED FROM DETAILS PROVIDED BY: USDA - NRCS,
NEW YORK STATE DEPARTMENT OF TRANSPORTATION,
NEW YORK STATE DEPARTMENT OF ENVIRONMENTAL CONSERVATION,
NEW YORK STATE SOIL & WATER CONSERVATION COMMITTEE

NO.	DATE	BY:	REVISION

--	--	--	--

CONSULTANT
 Consultant Address: (585) 867-5309
 Rochester, New York XXXX Fax: (585) 867-5309
 PROJECT MANAGER: MANAGER
 DRAWN BY: DRAFTER

DEPARTMENT OF TRANSPORTATION
 50 WEST MAIN STREET, SUITE 6100
 ROCHESTER, NEW YORK 14614-1231
UNAUTHORIZED ALTERATION OR ADDITION TO THIS DRAWING IS A VIOLATION OF THE NEW YORK STATE EDUCATION LAW ARTICLE 145, SECTION 7209

COUNTY ROAD #	PROJECT NAME
TOWN	PROJECT LIMITS
CAPITAL PROJECT NO.	TOWN
XXXX.XX	

EROSION AND SEDIMENT CONTROL
 SCALE: NOT TO SCALE
 DATE ISSUED: DATE
 DRAWING NO.
 1 OF XX