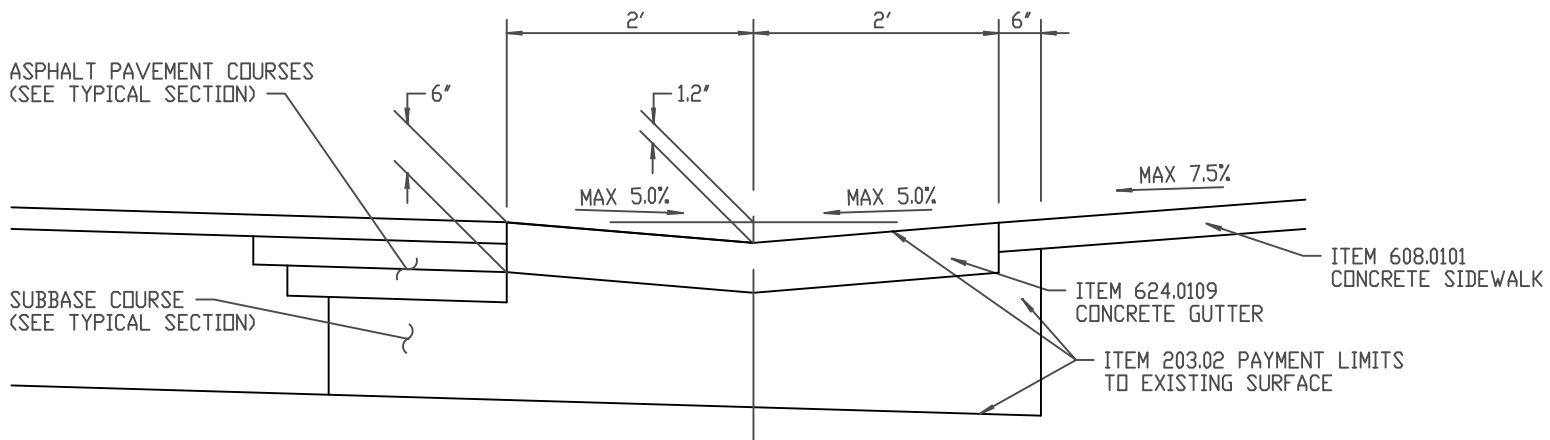


CONCRETE GUTTER DETAIL WITH PERFORATED UNDERDRAIN

NOT TO SCALE

REVISED 3/26/21



CONCRETE GUTTER DETAIL AT SIDEWALK RAMPS

NOT TO SCALE

REVISED 3/11/21