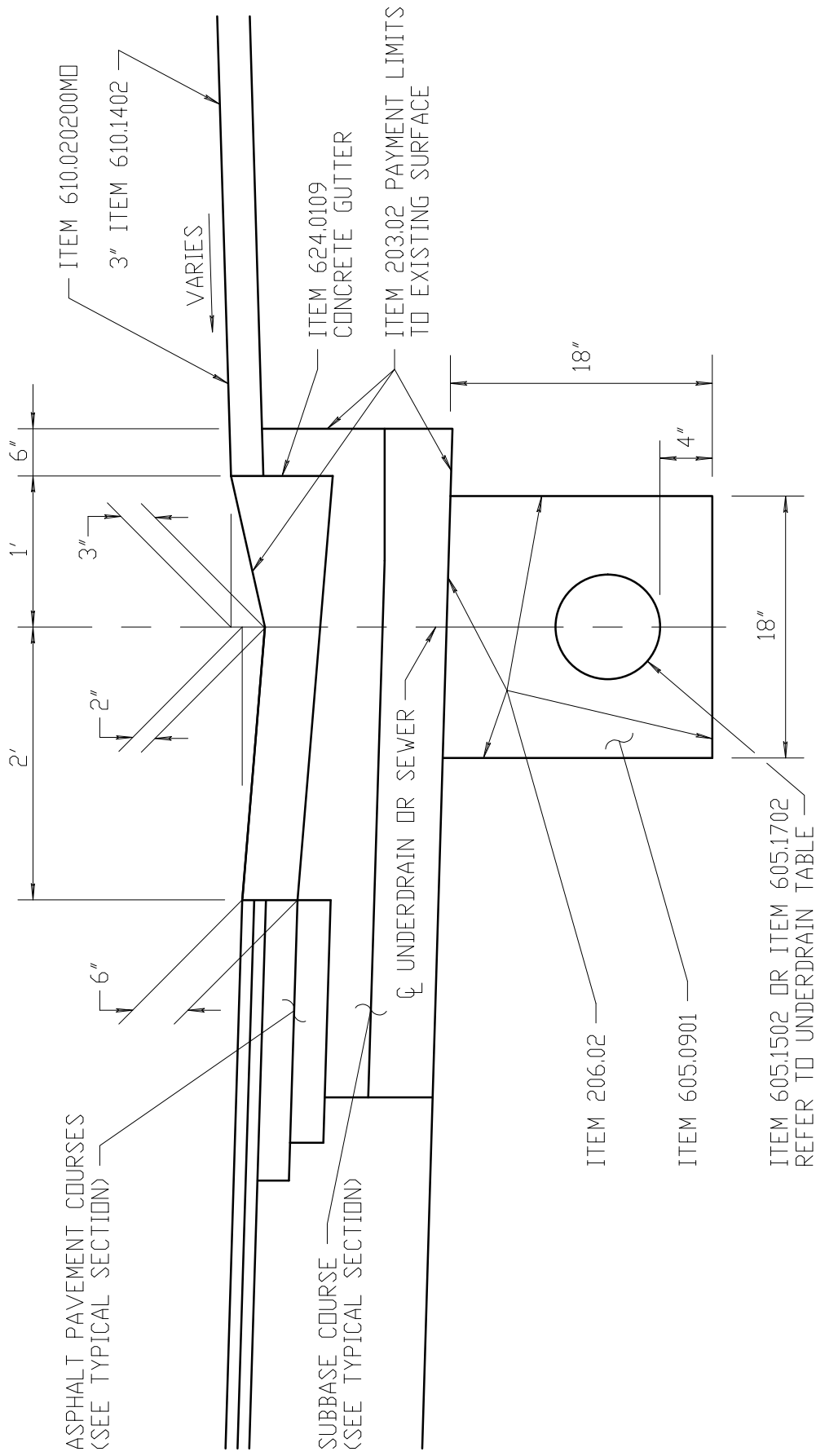


7/09/13
 REVISED



CONCRETE GUTTER DETAIL WITH PERFORATED UNDERDRAIN

NOT TO SCALE