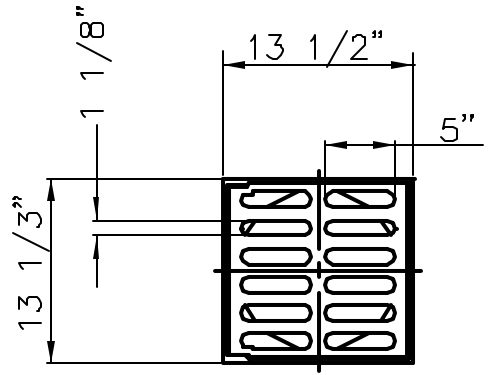


PEDESTRIAN (H-10) RATED
DRAINAREA = 51.0 SQ IN

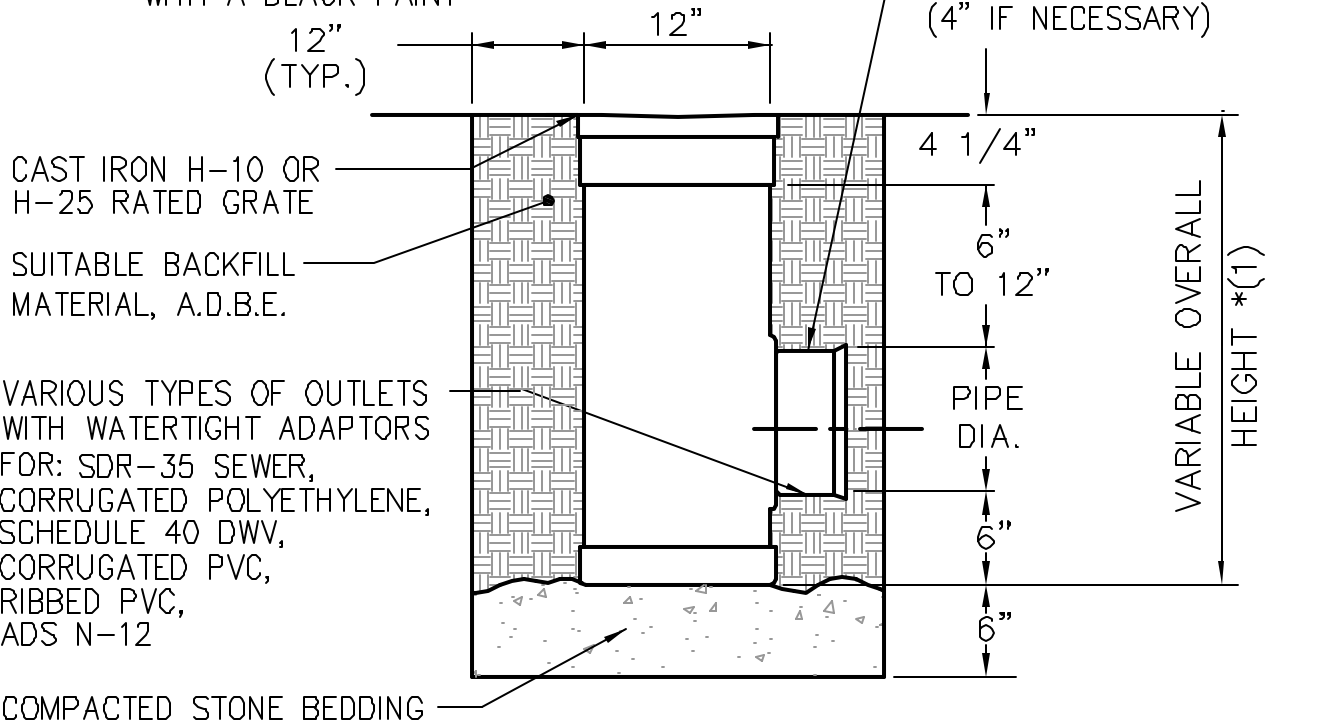


STANDARD (H-25) RATED
DRAINAREA = 60.6 SQ IN

MATERIAL: CAST IRON

QUALITY: MATERIAL SHALL CONFORM
TO ASTM A48 - CLASS 30B

PAINT : CASTINGS ARE FURNISHED
WITH A BLACK PAINT



*(1) MAXIMUM
RECOMMENDED
OVERALL HEIGHT 10'

FIELD INLET-STAND PIPE 12"
ITEM 604.50XXYY
NOT TO SCALE

6/3/02

REVISED