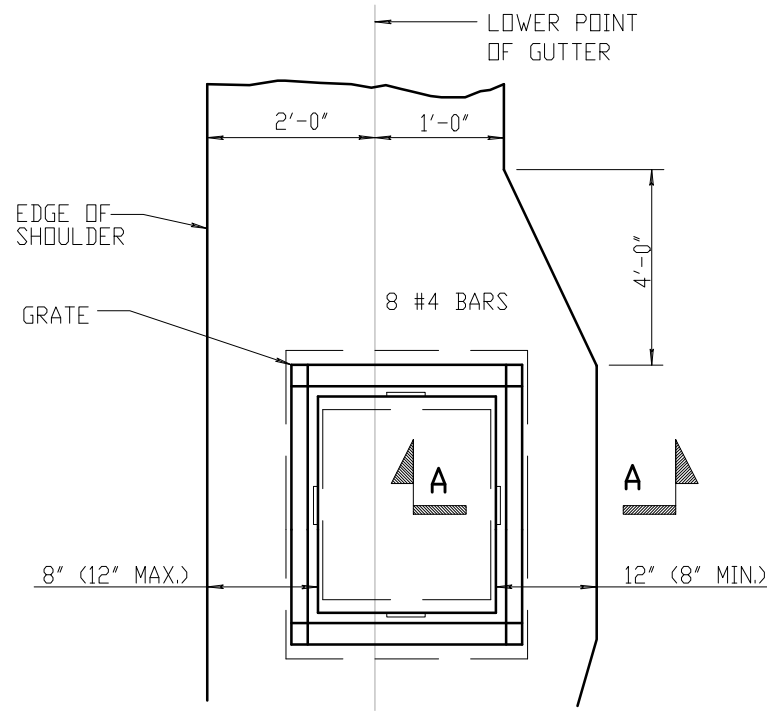
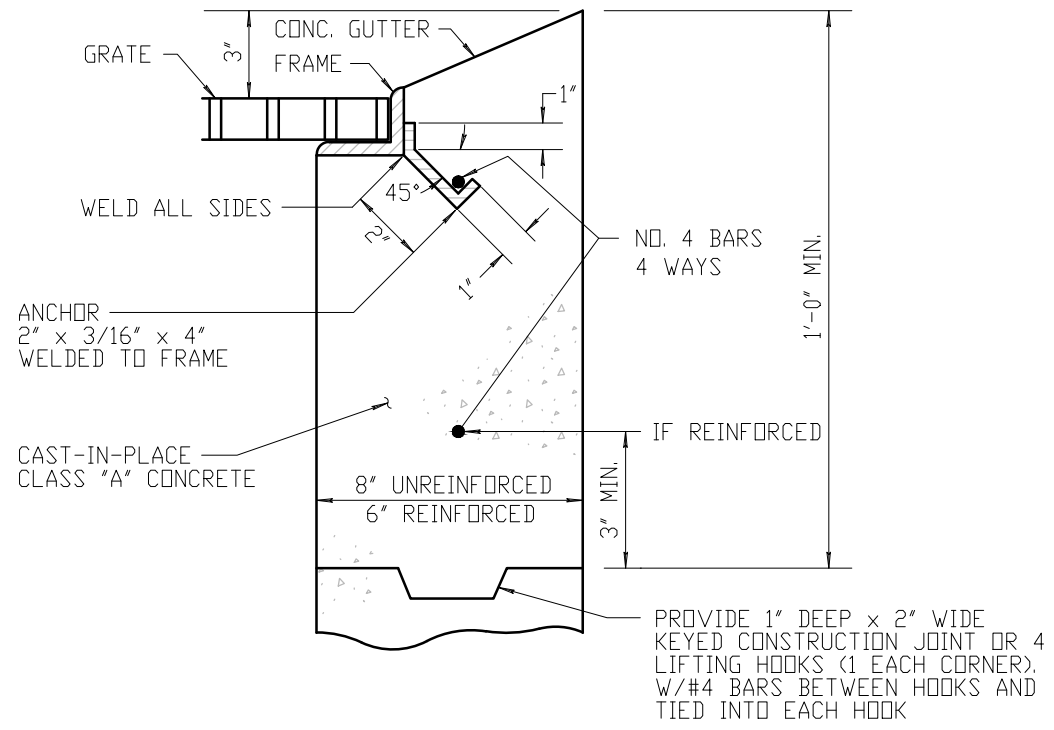


PLAN



PLAN



SECTION A-A

D.I. CAP ADJUSTMENT IN GUTTER SECTION

NOT TO SCALE