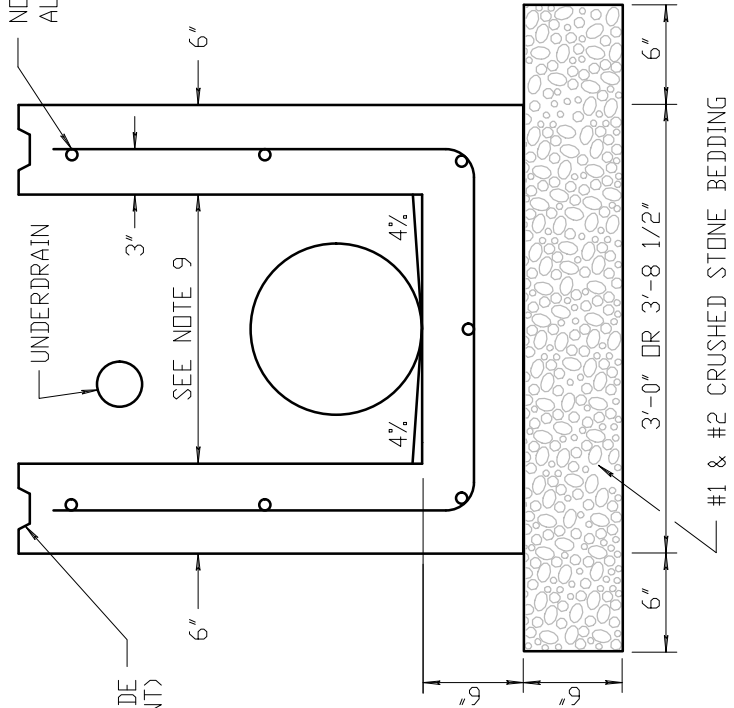


NOTES:

1. WELDED FRAME & RETICULINE GRATE No. 11 - SEE N.Y.S.D.O.T. STANDARD SHEET.
2. REINFORCEMENT SHALL HAVE A COVER OF 2" UNLESS OTHERWISE SHOWN. THE COST OF ALL BAR REINFORCEMENT SHALL BE INCLUDED IN THE PRICE BID FOR DROP INLETS. ALL BAR REINFORCEMENT IN THE PRE CAST STRUCTURE SHALL BE ACCORDING TO NYSDOT STANDARD SHEET 604-5.
3. ALL CONCRETE FOR DROP INLETS SHALL BE CLASS "A". BENCHES SHALL BE CAST-IN-PLACE COST TO BE INCLUDED IN DROP INLET ITEM.
4. FILL WITH CEMENT MORTAR AND SEAL WITH ASPHALT EMULSION TACK COAT BETWEEN FRAME AND CURB, PAYMENT SHALL BE INCLUDED IN APPROPRIATE CURB ITEM.
5. EXTERIORS OF ALL DROP INLETS TO BE COATED WITH TWO COATS OF HIGH BUILD COAL TAR PAINT. AFTER INSTALLATION IS COMPLETE AND THE BENCH IS INSTALLED, THE INTERIOR OF ALL DROP INLETS SHALL BE COATED WITH TWO COATS OF EPOXY RESIN DAMP PROOFING.
6. ALL PIPE CONNECTION TO STRUCTURE SHALL BE SEALED WITH 100% MORTAR.
7. REFER TO FRAME AND GRATE ANCHOR DETAIL.
8. STEPS WILL NOT BE ALLOWED.
9. 2'-0" FOR < OR = 18" DIA. PIPE, 2'-8 1/2" FOR > 18" DIA. PIPE.

NO. 4 BARS  
ALL SIDES



KEYWAY (1" DEEP x 2" WIDE  
KEYED CONSTRUCTION JOINT)

ELEVATION

DROP INLET NYSDOT TYPE "S" PRECAST BASE

NOT TO SCALE