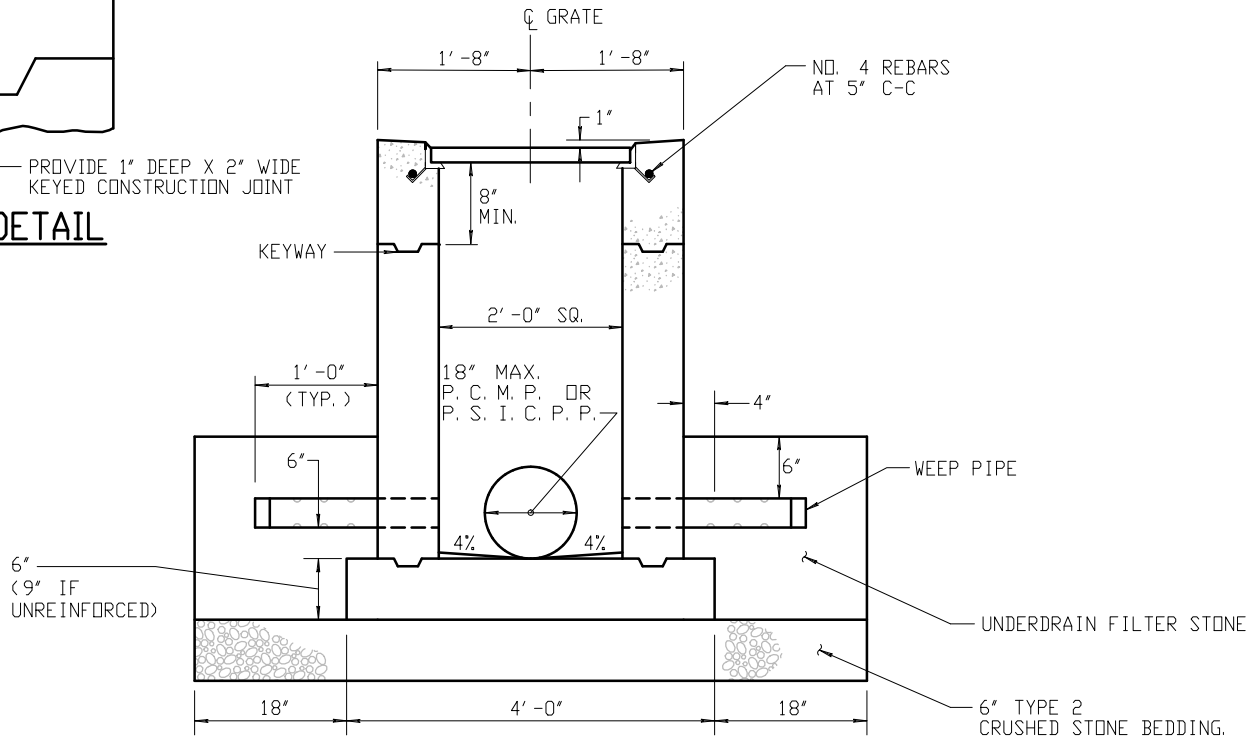
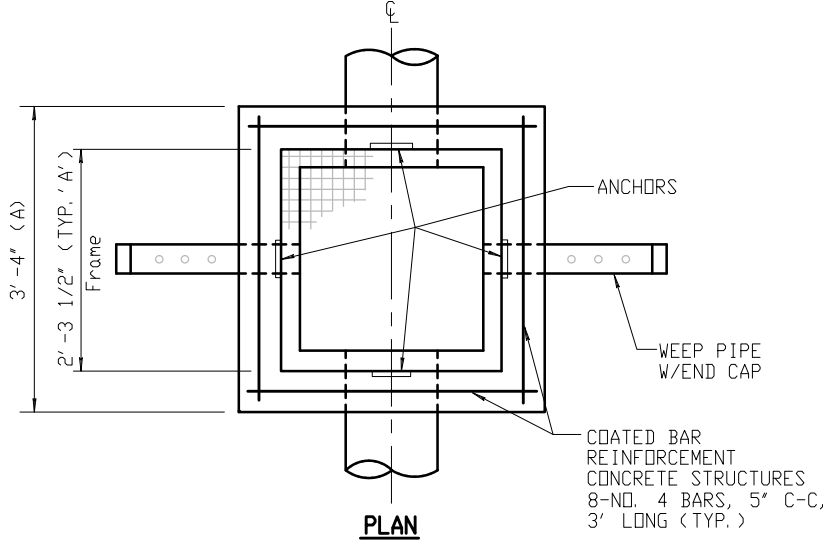


KEYWAY DETAIL

PROVIDE 1" DEEP X 2" WIDE KEYPED CONSTRUCTION JOINT



NOTES:

1. FOR ADDITIONAL DATA AND DETAILS OF RECTANGULAR AND RETICULINE TYPES OF FRAMES & GRATES, SEE N. Y. S. D. D. T. STANDARD SHEET 655-01.
2. WEEP PIPES SHALL BE INSTALLED ON ALL WALLS WITHOUT PIPE CONNECTIONS OR A. D. B. E. AND ONLY WHEN UNDERDRAIN IS NOT USED AND SHALL BE EITHER:
 - A.) 6" CORRUGATED METAL UNDERDRAIN PERFORATED PIPE.
 - B.) 6" POLYETHYLENE CORRUGATED PERFORATED UNDERDRAIN TUBING.
3. WHEN APPLICABLE EXTERIORS OF ALL DROP INLETS SHALL BE COATED WITH TWO COATS OF HIGH BUILD COAL TAR PAINT. AFTER INSTALLATION IS COMPLETE AND THE BENCH IS INSTALLED, THE INTERIOR OF ALL DROP INLETS SHALL BE COATED WITH TWO COATS OF EPOXY RESIN DAMP PROOFING.
4. WALL THICKNESS SHALL BE 6" IF REINFORCED, 8" IF UNREINFORCED. ALL PIPE CONNECTIONS SHALL BE MADE WITH 100% MORTAR.
5. CLASS "A" CONCRETE BENCHES SHALL BE CAST-IN-PLACE ON ALL STORM DROP INLETS REGARDLESS OF PIPE DIAMETER.

FRAMES & GRATES
TYPE 'A' (NO. 9)
FRAME: 2'-4 15/16" x 2'-3 1/2"
GRATE: 2'-3 11/16" x 2'-2 1/2"

FIELD INLET MCDOT TYPE "A" CAST-IN-PLACE

NOT TO SCALE