

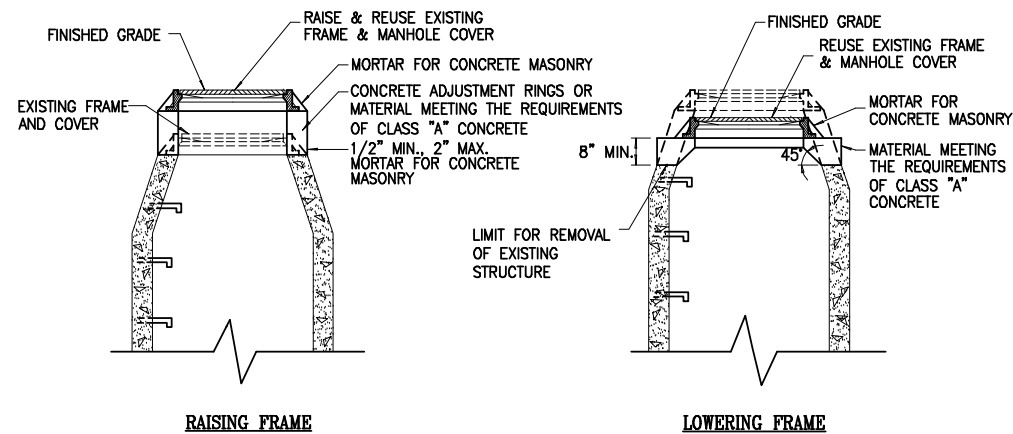
NOTES:

1. -INTERIOR (AND EXTERIOR WHERE APPLICABLE) OF REBUILT WALLS SHALL BE COATED WITH TWO COATS OF EPOXY RESIN DAMP PROOFING.
2. DRILL AND GROUT #5 BAR DOWELS, 3 PER SIDE MINIMUM, WITH 6" MINIMUM EMBEDMENT INTO OLD AND NEW CONCRETE.
3. -ALL EXISTING CONCRETE SURFACES THAT WILL BE IN CONTACT WITH NEW CONCRETE SHALL BE COATED WITH EPOXY POLYSULFIDE GROUT PER NYSOT SPECIFICATIONS 721-03. COST OF THIS WORK TO BE INCLUDED IN THE PRICE BID FOR ITEM 604.070401. THE UNIT PRICE BID SHALL INCLUDE THE COST OF: REMOVAL AND RESETTING OF THE FRAME, CLEANING EXISTING CATCH BASIN OR MANHOLE,
4. -DISPOSING ALL DEBRIS, EXCAVATION AND BACKFILL, AND FURNISHING ALL LABOR, MATERIAL AND EQUIPMENT NECESSARY TO COMPLETE THE WORK.

ALTER EXISTING DRAINAGE STRUCTURES

ITEM 604.070401

NOT TO SCALE - REVISED: 01/04/24



SHALL BE CONSTRUCTED TO ACCOMMODATE THE NEW FINISH GRADE. THE CASTING AND NEW BRICK ADJUSTMENT OR CONCRETE RINGS SHALL BE ENCASED WITHIN A MINIMUM 8" THICK CONCRETE. THIS ENCASEMENT SHALL EXTEND A MINIMUM OF 12" OUTSIDE THE EXISTING CASTING WITH THE TOP OF THE CONCRETE ENCASEMENT BEING 1 1/2" BELOW FINISHED GRADE. SULFIDE GROUT PER NYSOT SPECIFICATION 721-03. COST OF THIS WORK SHALL BE INCLUDED IN PRICE BID FOR ITEM 604.070401. OR MANHOLE, DISPOSING ALL DEBRIS, EXCAVATION AND BACKFILL, AND FURNISHING ALL LABOR, MATERIAL AND EQUIPMENT NECESSARY TO COMPLETE THE WORK.

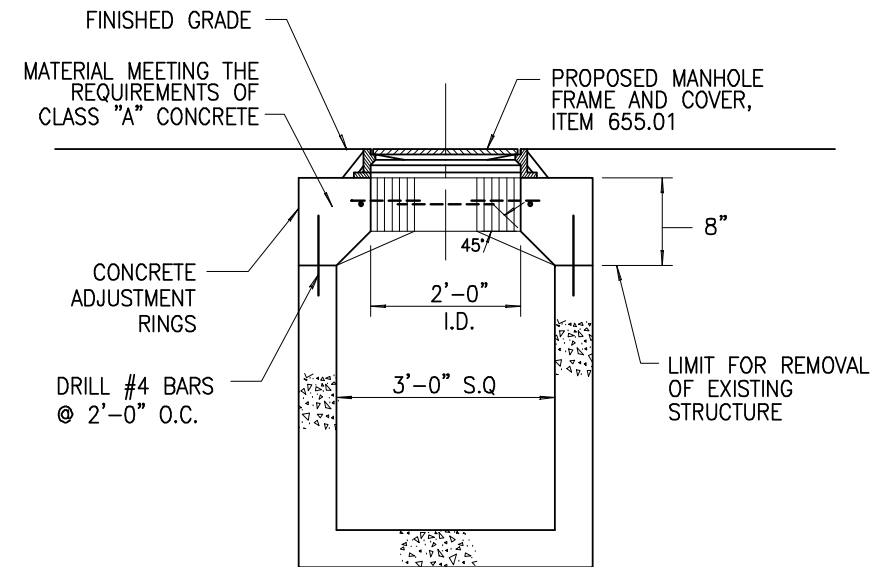
NOTES:

1. INTERIOR (AND EXTERIOR WHERE APPLICABLE) OF REBUILT WALLS SHALL BE COATED WITH (2) COATS OF EPOXY RESIN DAMP PROOFING.
2. ALL EXISTING CONCRETE SURFACES THAT WILL BE IN CONTACT WITH NEW CONCRETE SHALL BE COATED WITH EPOXY POLY
3. THE UNIT PRICE BID SHALL INCLUDE THE COST OF: REMOVAL AND RESETTING OF THE FRAME, CLEANING EXISTING CATCH BASIN
4. THE MANHOLE CASTINGS SHALL BE REMOVED AND CLEANED OF ALL EXTRANEIOUS MATERIAL. BRICK AND MORTAR LEVELING COURSES
5. ALL CAST-IN-PLACE CONCRETE SHALL BE CLASS "A".

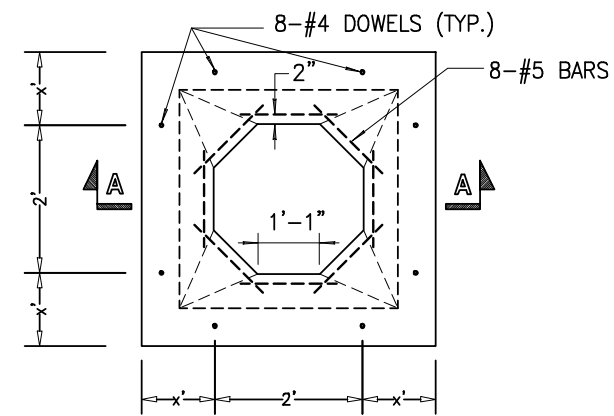
ALTER EXISTING MANHOLE

ITEM 604.070402

NOT TO SCALE - REVISED: 01/04/24



SECTION A-A

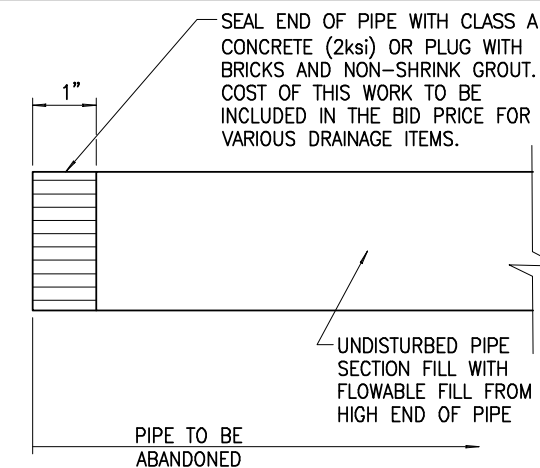


PLAN

ALTER EXISTING D.I. TO TYPE 'A' MANHOLE

ITEM 604.07

NOT TO SCALE - REVISED: 06/12/23



PIPE ABANDONMENT DETAIL

NOT TO SCALE - REVISED: 06/12/23

NO.	DATE	BY:	REVISION

CONSULTANT
 (565) 867-5309
 Fax: (565) 867-5309
 Rochester, New York XXXX

PROJECT MANAGER: MANAGER
DRAWN BY: DRAFTER

DEPARTMENT OF TRANSPORTATION
 50 WEST MAIN STREET, SUITE 6100
 ROCHESTER, NEW YORK 14614-1231
 UNAUTHORIZED ALTERATION OR ADDITION TO THIS DRAWING
 VIOLATES NEW YORK STATE EDUCATION LAW
 ARTICLE 145, SECTION 7209

PROJECT NAME	COUNTY ROAD #
PROJECT LIMITS	
TOWN	
CAPITAL PROJECT NO.	XXXX-XX
SCALE:	NOT TO SCALE
DATE ISSUED:	DATE
DRAWING NO.	10 OF 22