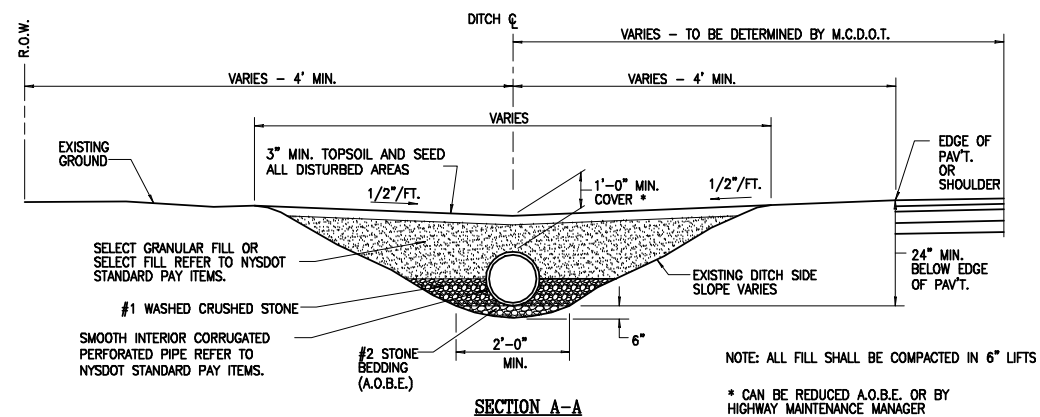
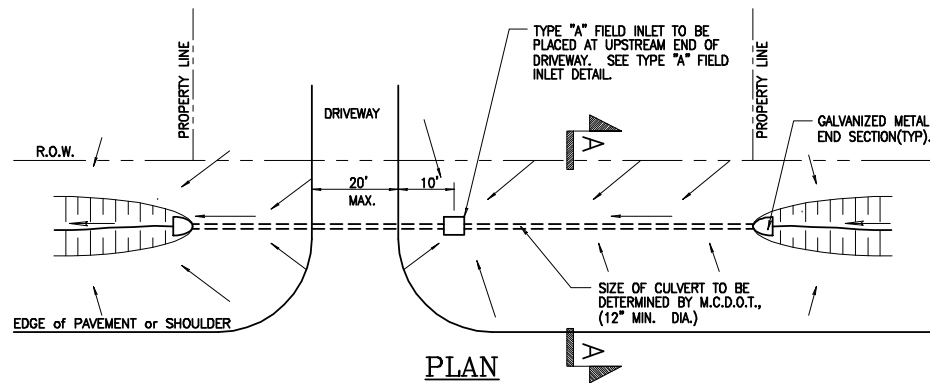


NOTES:

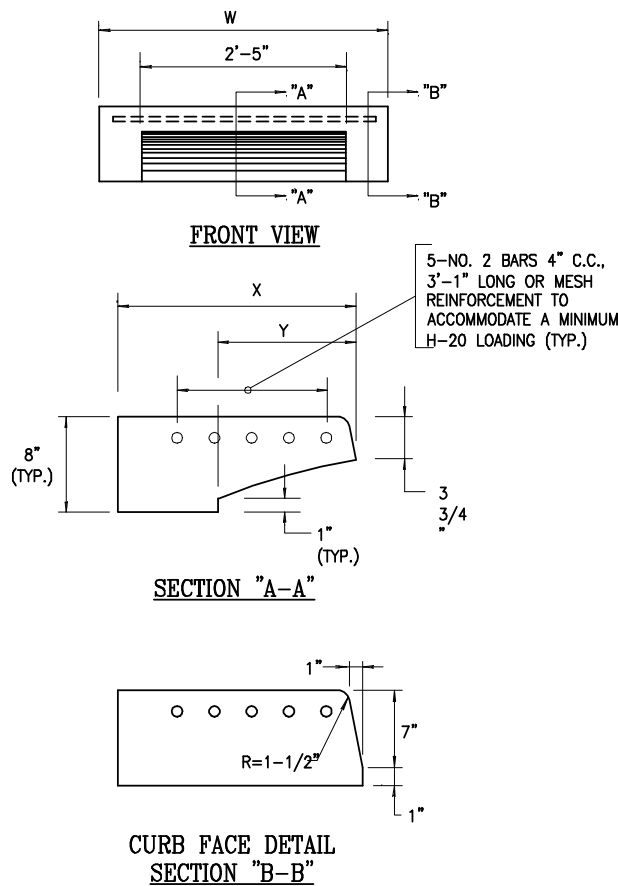
1. PRIOR TO INSTALLING THE NEW CULVERT, THE OWNERS OR THEIR AGENTS ARE TO CLEAN OUT AND GRADE THE EXISTING DRAINAGE DITCH ALONG THEIR PROPERTY FRONTAGE ON THIS LOT.
2. THE OWNERS SHALL FURNISH AND INSTALL _____ INCH SMOOTH INTERIOR PREFORATED POLYETHYLENE PIPE, MINIMUM LENGTH TO EXTEND THE FULL LENGTH OF THE PROPERTY LINE AT THE DITCH LINE. THE NEW PROPOSED DITCH CULVERT SHALL BE PLACED AT A LINE, GRADE AND OFFSET DETERMINED BY THE EXISTING DITCH LINE, GRADE AND OFFSET OF THE ADJACENT PROPERTIES ON EITHER SIDE OF THE NEW PROPOSED CULVERT TO FLOW PROPERLY IN A MANNER SATISFACTORILY TO THE MONROE COUNTY SUPERINTENDENT OF HIGHWAYS OR HIS/HER DESIGNEE. THE MAXIMUM SPACING BETWEEN FIELD INLETS SHALL BE 200 FEET. THE OWNERS OR THEIR AGENTS SHALL INSTALL GALVANIZED STEEL END SECTIONS ON THE NEW PROPOSED PIPE ENDS.
3. IF THE DRIVEWAY IS AT HIGHER ELEVATIONS AND/OR DOWNSTREAM OF THE PROPOSED ROADSIDE DITCH ENCLOSURE, A FIELD INLET SHALL BE INSTALLED OVER THE CULVERT AND WITHIN 10 FEET OF THE UPSTREAM END OF THE DRIVEWAY TO RECEIVE ROADWAY STORM WATER RUNOFF AS DIRECTED BY THE MONROE COUNTY SUPERINTENDENT OF HIGHWAYS.
4. THE APPLICANT SHALL NOTIFY THE M.C.D.O.T. PERMIT OFFICE, 753-7710, AT LEAST 48 HOURS PRIOR TO PERFORMING THE WORK TO ALLOW FOR FIELD INSPECTION. THIS PERMIT IS GRANTED WITH THE STIPULATION THAT ALL OF THE ABOVE SPECIAL CONDITIONS HAVE BEEN MET.



ROADSIDE DITCH ENCLOSURE

NOT TO SCALE - REVISED: 01/04/24

DIMENSION	W	X	Y
SIZE A COVER	3'-5"	1'-11"	1'-1 1/2"
SIZE B COVER	3'-5"	2'-4"	1'-6 1/2"
SPECIAL COVER	TBD	TBD	TBD

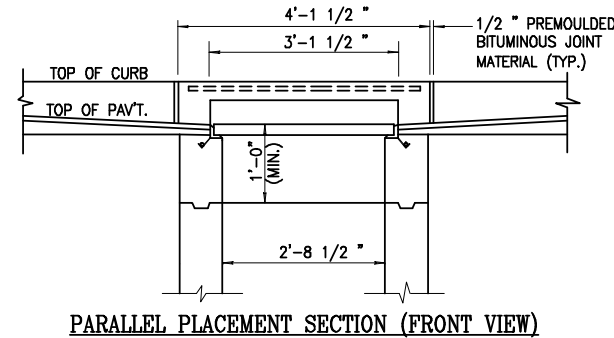
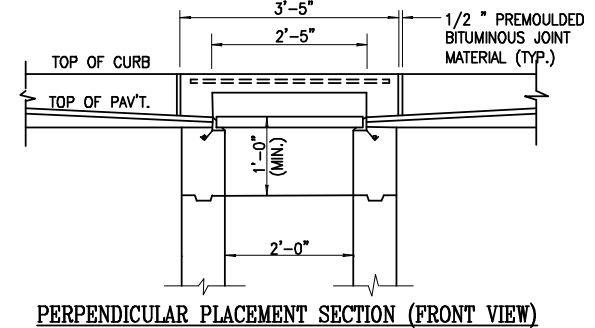
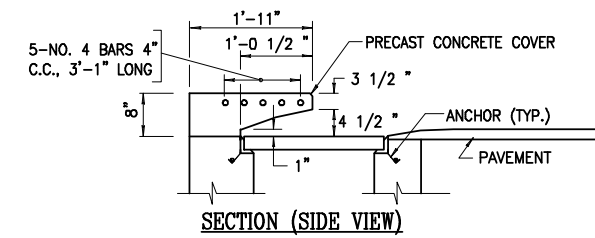


PRECAST CONCRETE COVER FOR RECESSED DROP INLETS

NOT TO SCALE - REVISED: 06/12/23

NOTES:

1. PRECAST CONCRETE COVER TO BE SET IN PLACE, NOT MORTARED IN PLACE. CONCRETE SHALL BE CLASS "A" AND SHALL CONFORM TO SECTION 555 OF THE SPECIFICATIONS.
2. THE COST OF THE PRECAST CONCRETE COVER, INCLUDING BAR REINFORCEMENT SHALL BE INCLUDED IN THE PRICE BID FOR DROP INLETS.
3. BAR REINFORCEMENT SHALL CONFORM TO MATERIAL SPECIFICATION 709-01 AND SHALL BE EPOXY COATED.



PRECAST CONCRETE COVER FOR RECESSED DROP INLET TYPE "S"

NOT TO SCALE - REVISED: 06/12/23

NO.	DATE	BY	REVISION

CONSULTANT
 (565) 867-5309
 Fax: (565) 867-5309
 Consultant Address: Rochester, New York XXXXX

PROJECT MANAGER: MANAGER
DRAWN BY: DRAFTER

DEPARTMENT OF TRANSPORTATION
 50 WEST MAIN STREET, SUITE 6100
 ROCHESTER, NEW YORK 14614-1231
 UNAUTHORIZED ALTERATION OR ADDITION TO THIS DRAWING VIOLATES NEW YORK STATE EDUCATION LAW ARTICLE 145, SECTION 2209

COUNTY ROAD # _____

PROJECT NAME _____

PROJECT LIMITS _____

TOWN _____

CAPITAL PROJECT NO. XXXX-XX

SCALE: NOT TO SCALE

DATE ISSUED: DATE

DRAWING NO. 14 OF 22