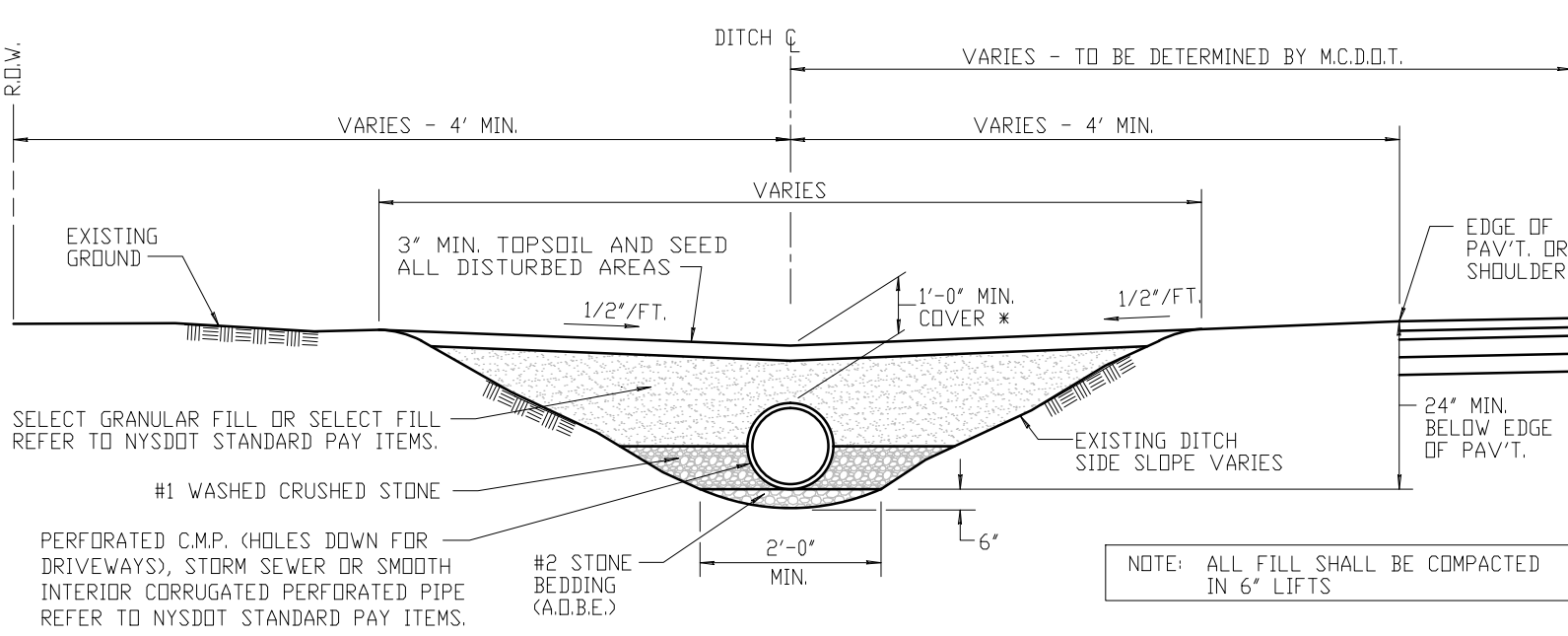
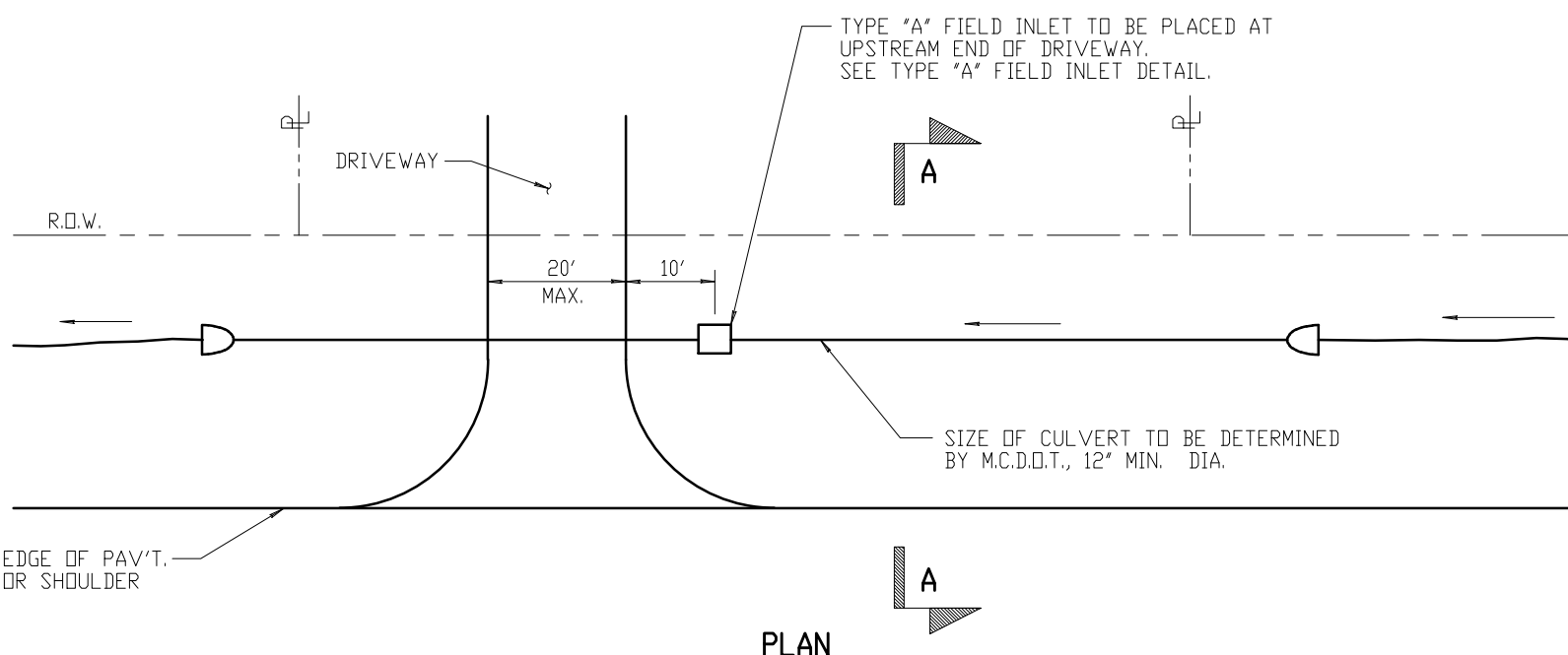


NOTES:

1. PRIOR TO INSTALLING THE NEW CULVERT, THE OWNERS OR THEIR AGENTS ARE TO CLEAN OUT AND GRADE THE EXISTING DRAINAGE DITCH ALONG THEIR PROPERTY FRONTAGE ON THIS LOT.
2. THE OWNERS SHALL FURNISH AND INSTALL _____ INCH PERFORATED CORRUGATED METAL MINIMUM 16 GAUGE OR SMOOTH INTERIOR PERFORATED POLYETHYLENE PIPE, MINIMUM LENGTH TO EXTEND THE FULL LENGTH OF THE PROPERTY LINE AT THE DITCH LINE. THE NEW PROPOSED DITCH CULVERT SHALL BE PLACED AT A LINE, GRADE AND OFFSET DETERMINED BY THE EXISTING DITCH LINE, GRADE AND OFFSET OF THE ADJACENT PROPERTIES ON EITHER SIDE OF THE NEW PROPOSED CULVERT TO FLOW PROPERLY IN A MANNER SATISFACTORILY TO THE MONROE COUNTY SUPERINTENDENT OF HIGHWAYS OR HIS/HER DESIGNEE. THE MAXIMUM SPACING BETWEEN FIELD INLETS SHALL BE 200 FEET. THE OWNERS OR THEIR AGENTS SHALL INSTALL GALVANIZED STEEL END SECTIONS ON THE NEW PROPOSED PIPE.
3. IF THE DRIVEWAY IS AT HIGHER ELEVATIONS AND/OR DOWNSTREAM OF THE PROPOSED ROADSIDE DITCH ENCLOSURE, A FIELD INLET SHALL BE INSTALLED OVER THE CULVERT AND WITHIN 10 FEET OF THE UPSTREAM END OF THE DRIVEWAY TO RECEIVE ROADWAY STORM WATER RUNOFF AS DIRECTED BY THE MONROE COUNTY SUPERINTENDENT OF HIGHWAYS.
4. THE APPLICANT SHALL NOTIFY THE M.C.D.O.T. PERMIT OFFICE, 753-7710, AT LEAST 48 HOURS PRIOR TO PERFORMING THE WORK TO ALLOW FOR FIELD INSPECTION. THIS PERMIT IS GRANTED WITH THE STIPULATION THAT ALL OF THE ABOVE SPECIAL CONDITIONS HAVE BEEN MET.



SECTION A-A

* CAN BE REDUCED A.O.B.E. OR BY HIGHWAY MAINTENANCE MANAGER

ROADSIDE DITCH ENCLOSURE

NOT TO SCALE

8/11/14

REVISED