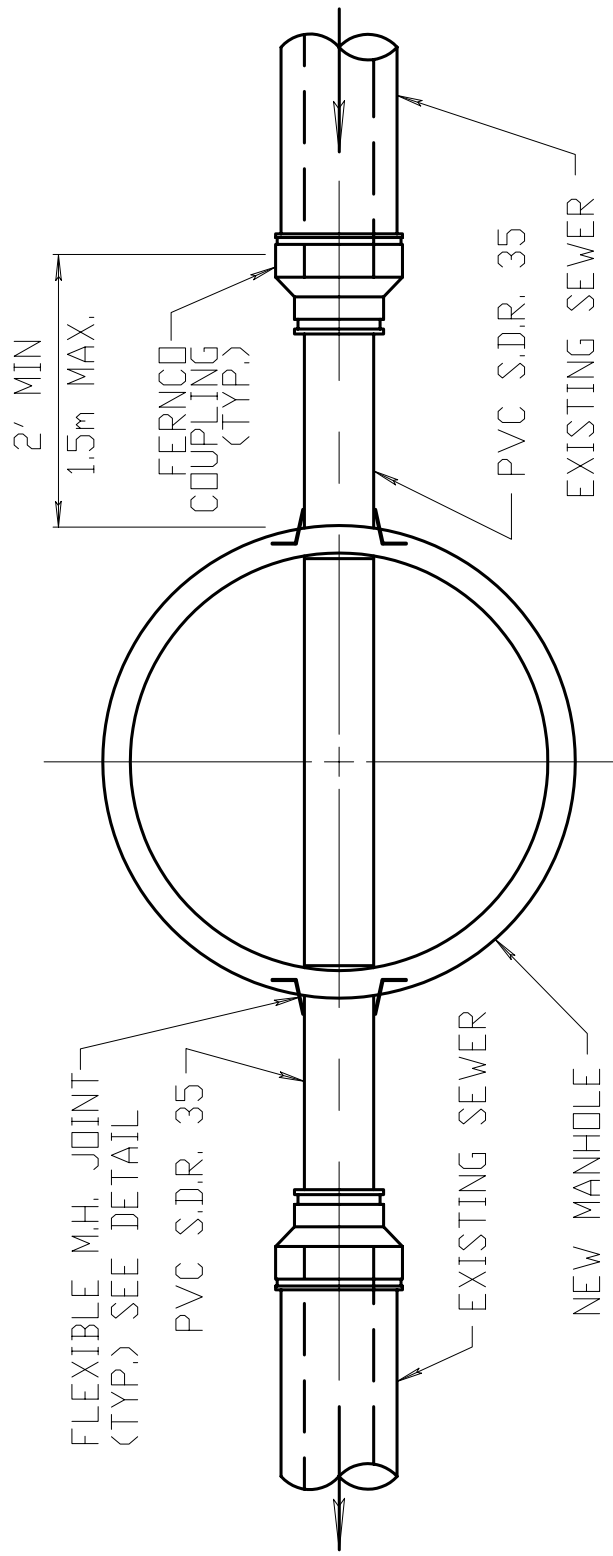


3/1/06

REVISED



CONNECTION OF EXISTING SEWER TO NEW MANHOLE

NOT TO SCALE