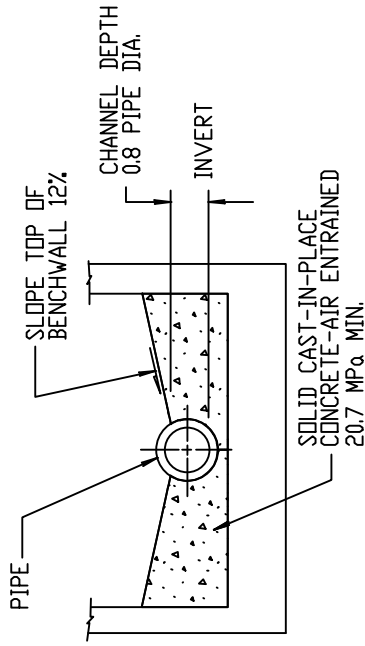
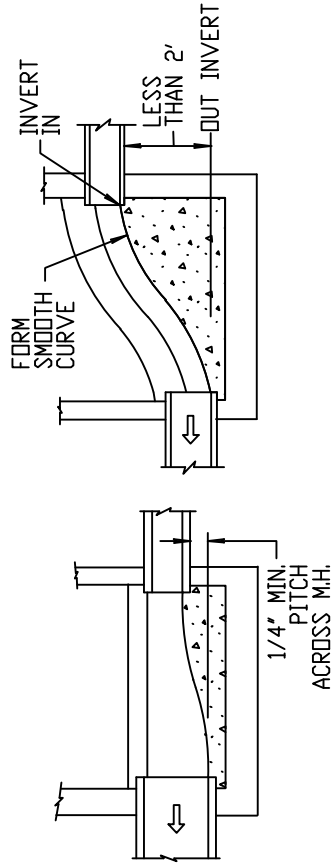


REVISED 4/27/2021

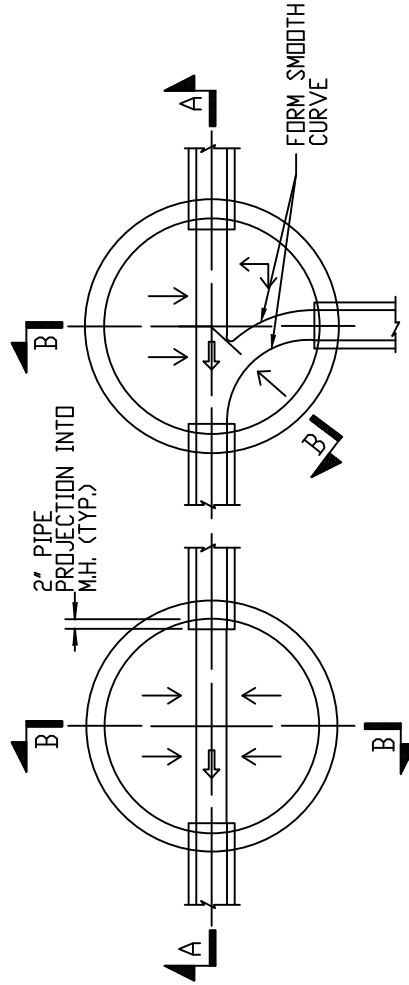


SECTION B-B



SECTION A-A

SMOOTH DROP INVERT FILLET



MULTIPLE INVERT

PLAN

ONE-WAY INVERT

MANHOLE - PRECAST CONCRETE INVERT (SANITARY)

NOT TO SCALE