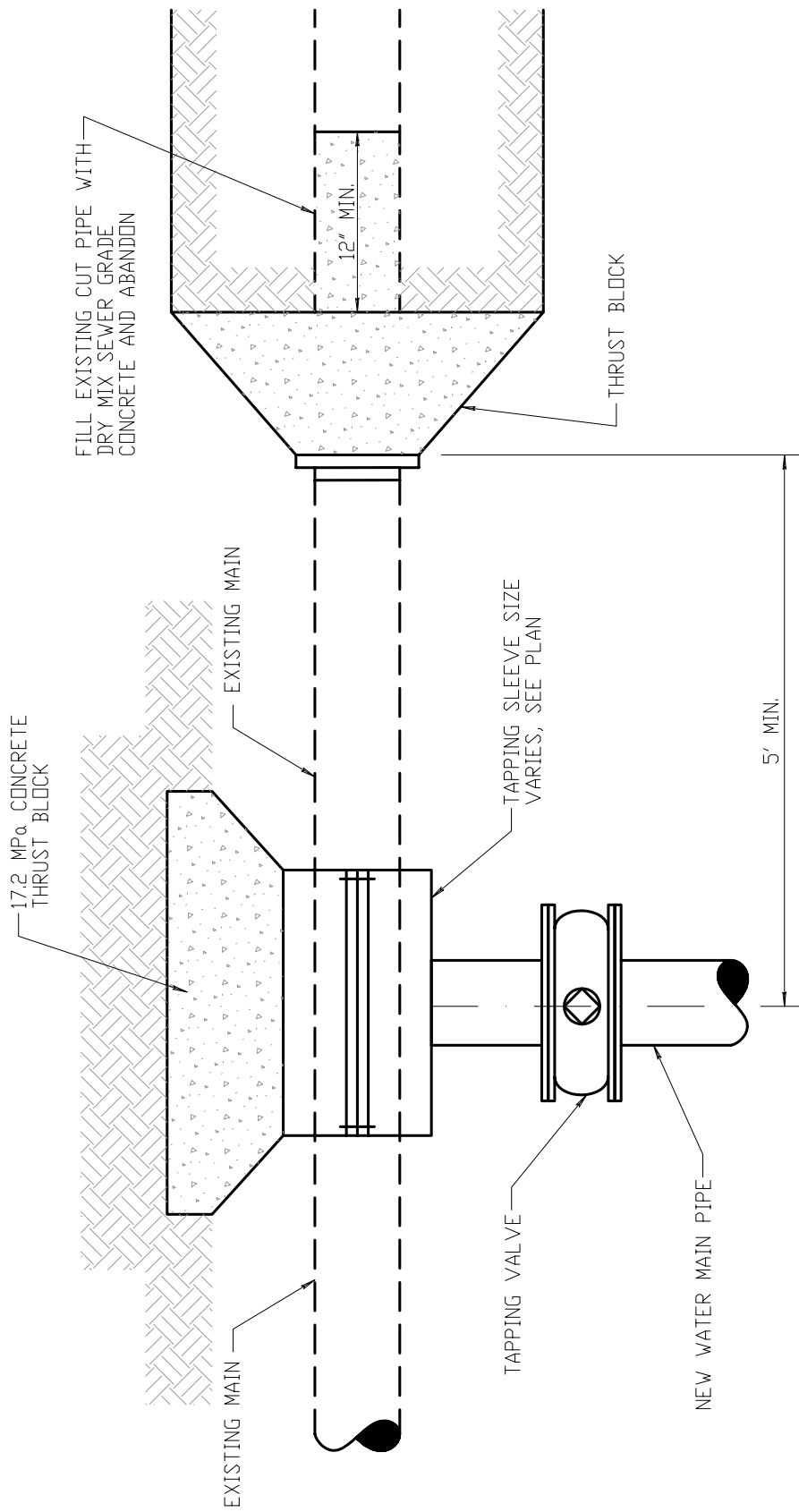


3/1/06

REVISED



TAPPING SLEEVE AND VALVE

NOT TO SCALE