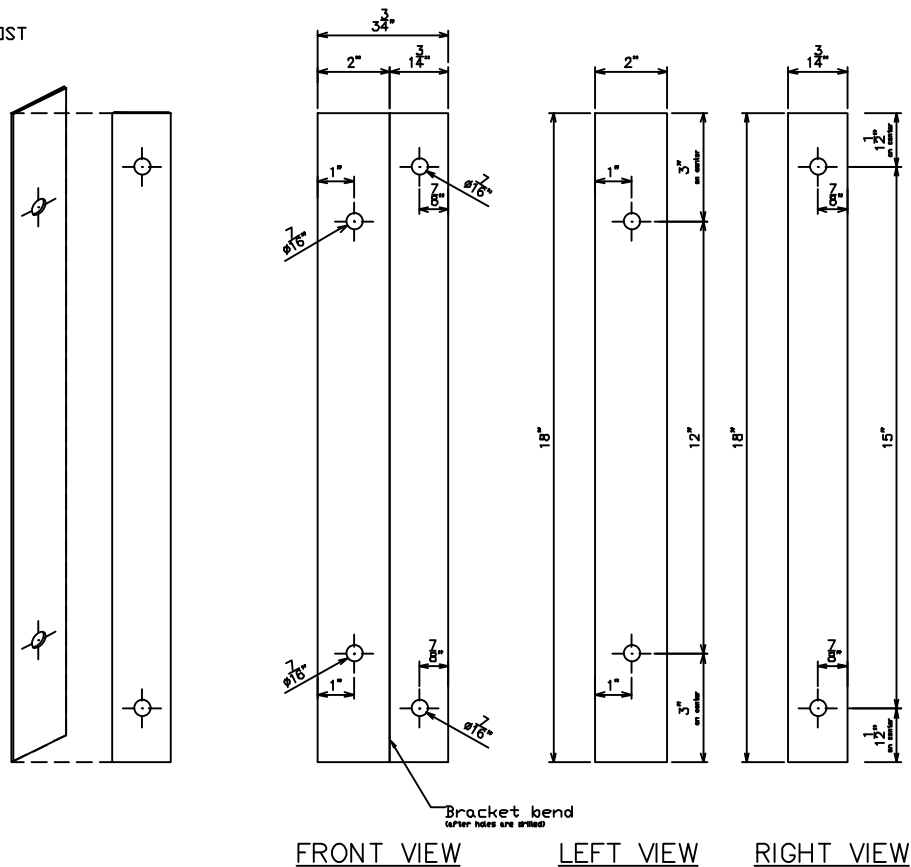
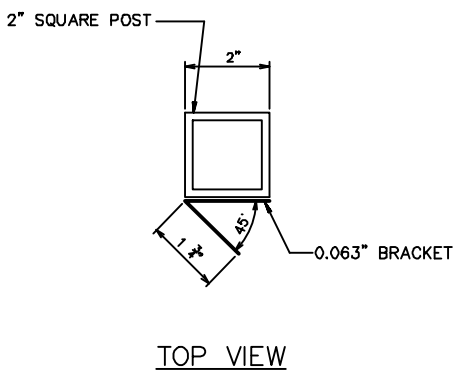


ELEVATION VIEW



FRONT VIEW      LEFT VIEW      RIGHT VIEW



TOP VIEW

NOTES:

1. Brackets are suggested to be fabricated from 0.063 inches galvanized steel
2. Holes are all punched 1" on center from hole to hole to align with post holes.
3. Brackets are bent at a 45 degree angle.

PARKING SIGN BRACKET DETAILS