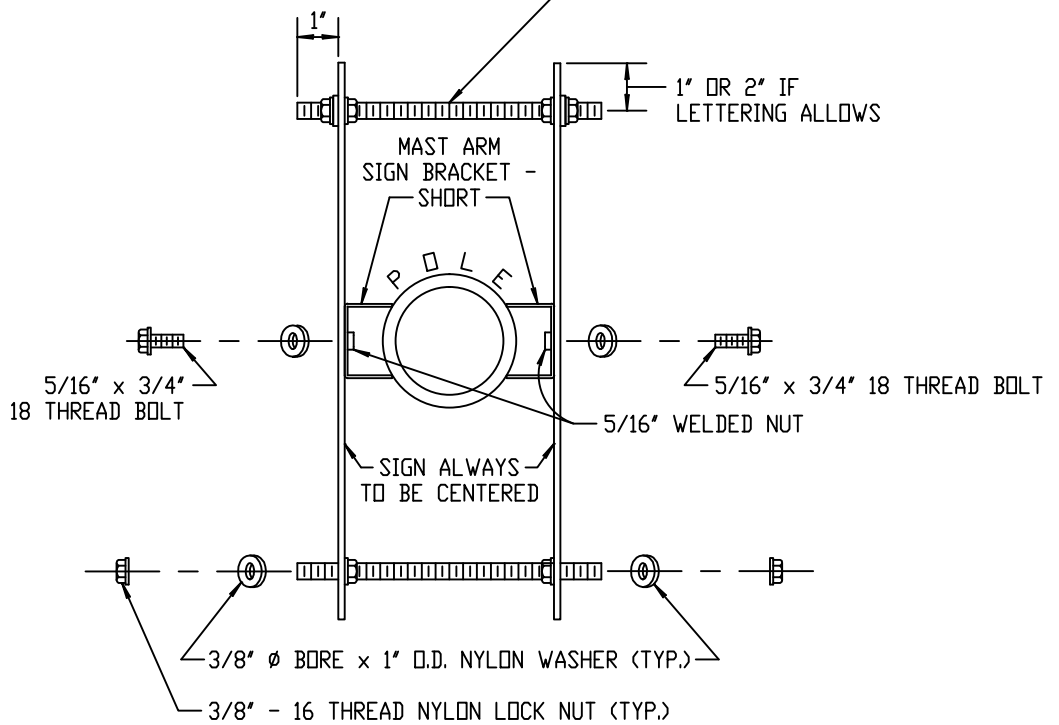
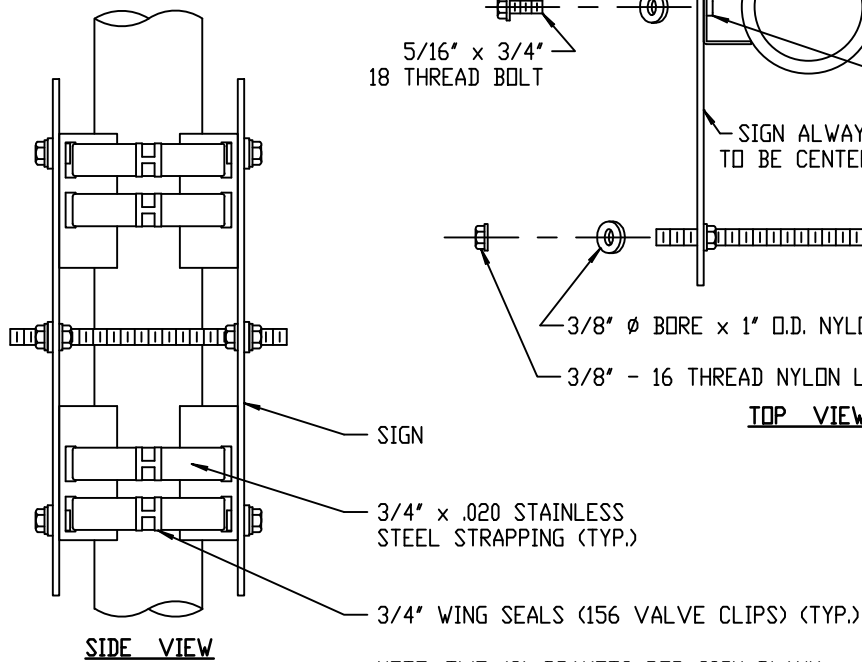


ISOMETRIC VIEW



TOP VIEW



SIDE VIEW

NOTE: TWO (2) BRACKETS PER SIGN BLANK.
TWO STRAPS PER BRACKET.

6/21/11

REVISED

POLE MOUNTED BACK TO BACK STREET NAME SIGN INSTALLATION

NOT TO SCALE