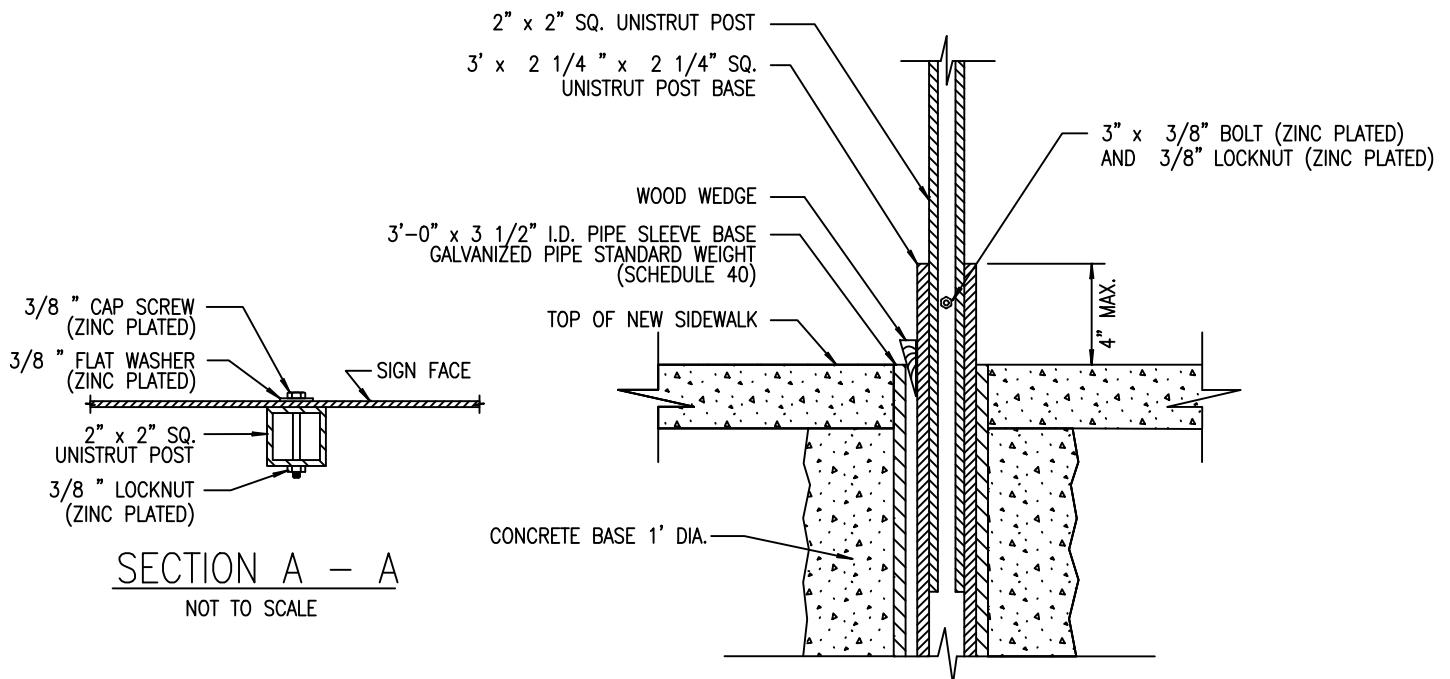


POST MOUNTED SIGN  
INSTALLATION IN CONCRETE  
NOT TO SCALE



SECTION A - A  
NOT TO SCALE

SECTION B - B  
NOT TO SCALE