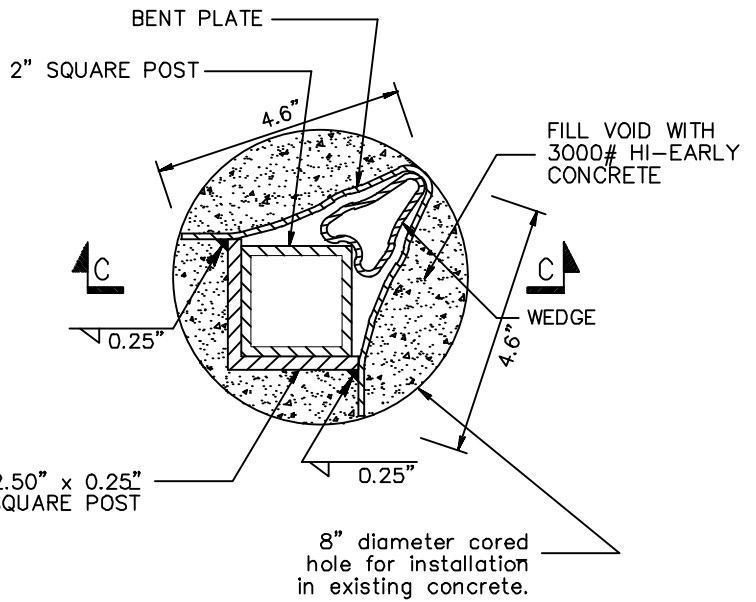
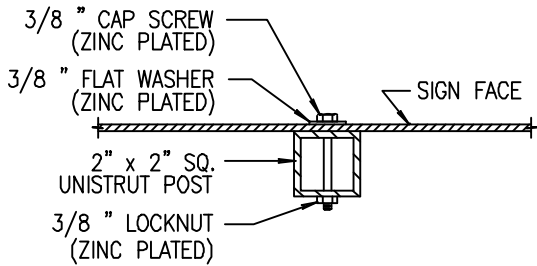


SECTION C - C  
NOT TO SCALE



SECTION B - B  
NOT TO SCALE



SECTION A - A  
NOT TO SCALE

# POST MOUNTED SIGN INSTALLATION IN CONCRETE (V-LOC)