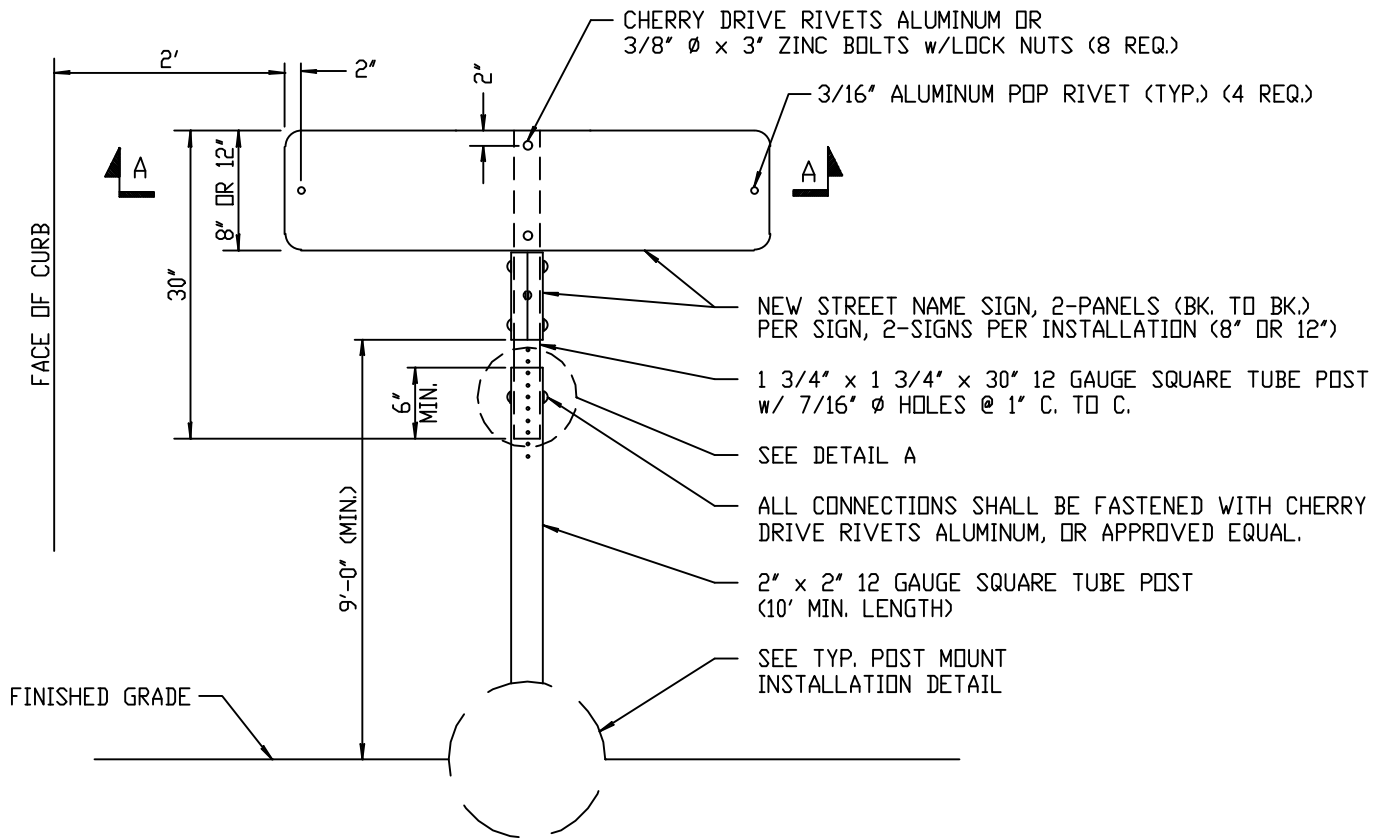


SECTION A - A



POST MOUNTED STREET NAME SIGN INSTALLATION

NOT TO SCALE

10/04/16
REVISED