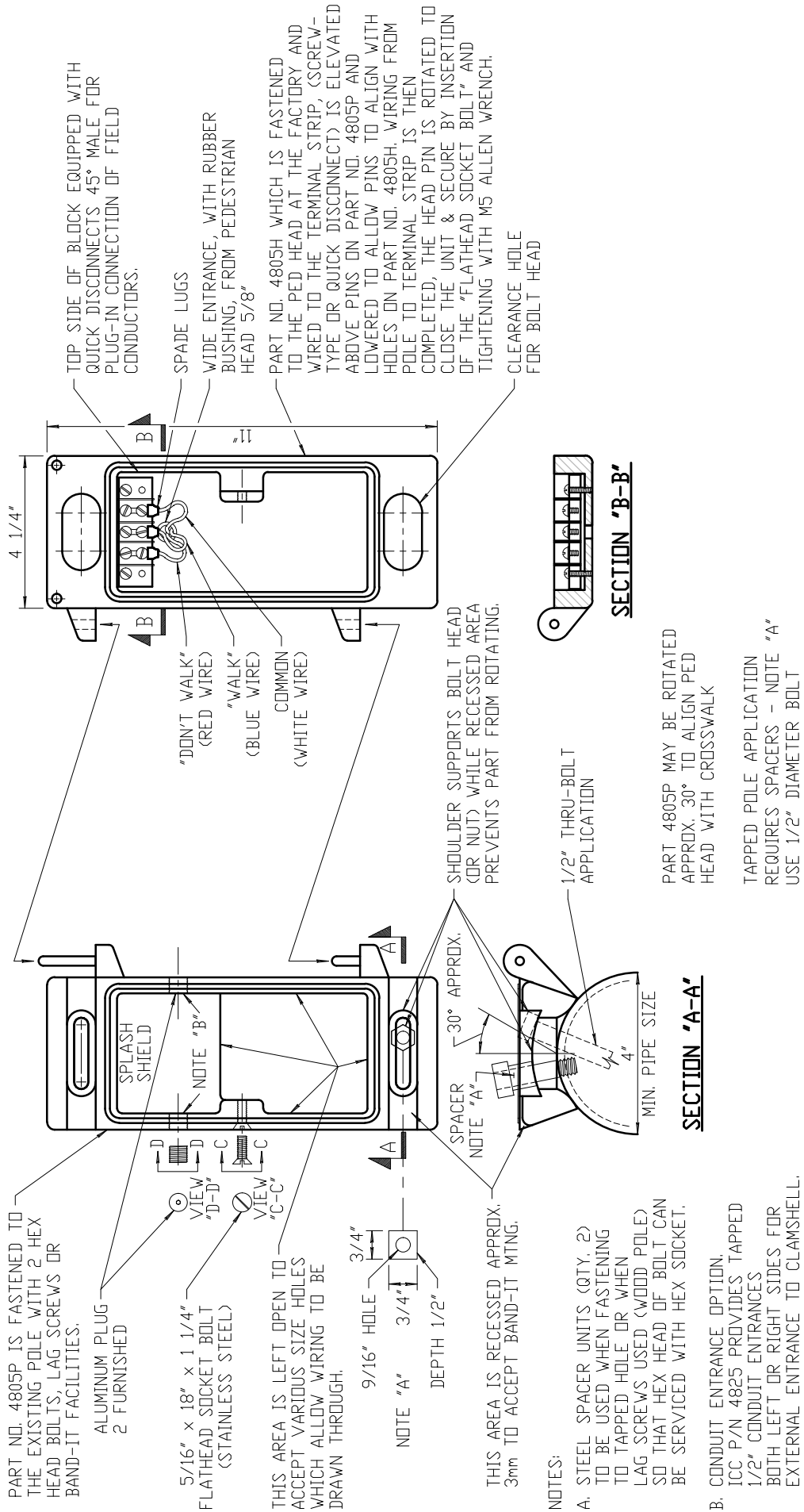


3/4/15

REVISED



**CLAMSHELL PEDESTRIAN SIGNAL BRACKET MOUNT**  
**NOT TO SCALE**