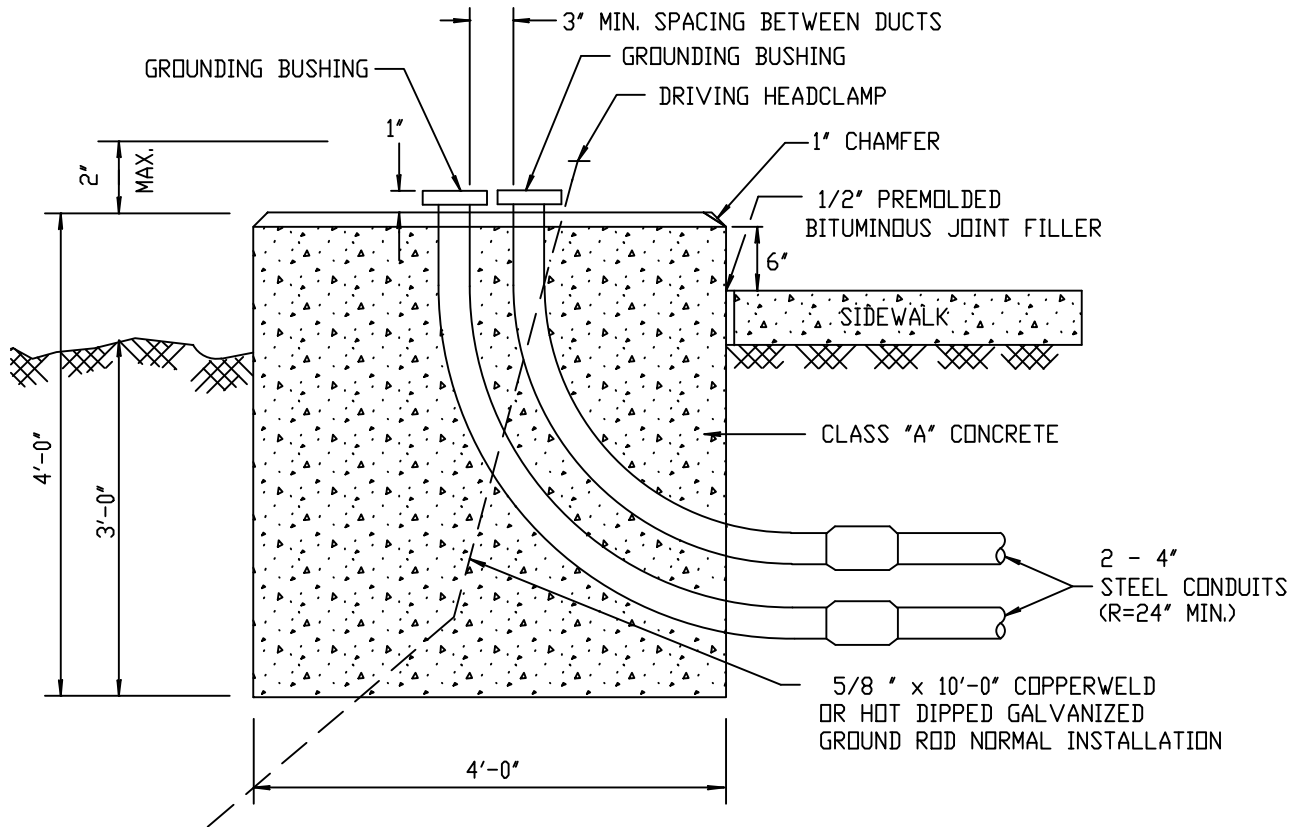


NOTES:

1. IN UNPAVED AREAS A MIN. 5' X 5' CONCRETE WORK PAD SHALL BE PLACED IN FRONT OF THE CABINET DOOR.



CONCRETE BASE FOR CONTROLLER CABINET - VIEW B

NOT TO SCALE

REVISED 4/21/2021