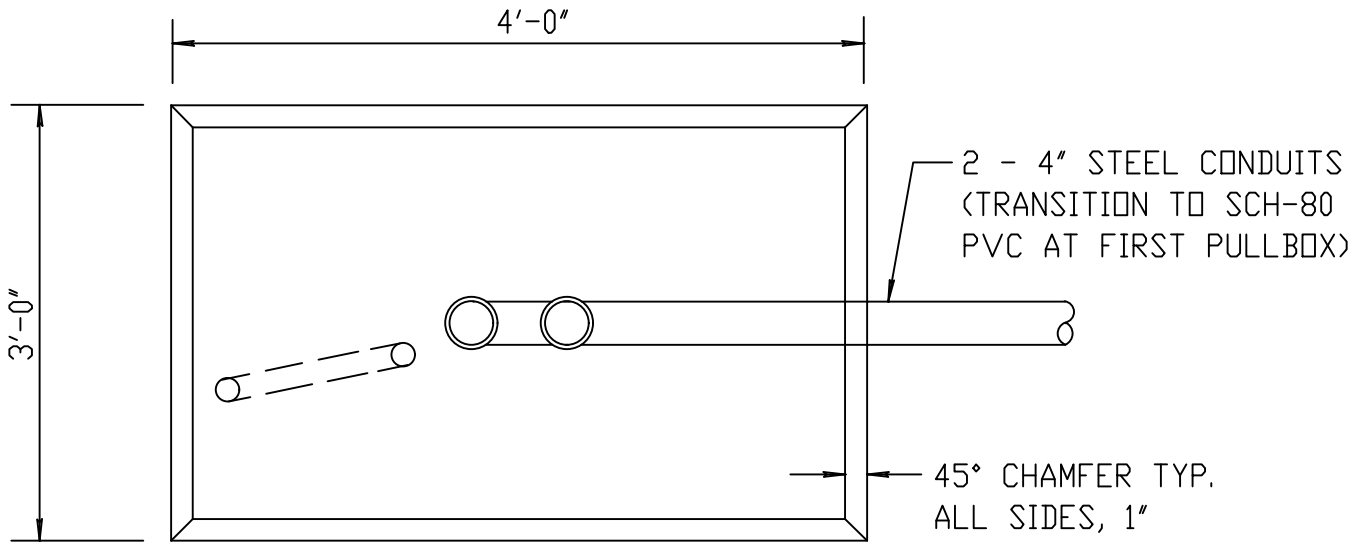


FRONT OR REAR CONDUIT EXIT



SIDE CONDUIT EXIT

CONCRETE CONTROLLER CABINET BASE - CONDUIT EXITS

NOT TO SCALE

REVISED 4/21/2021